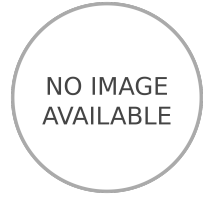




Rectangular Waveguide WR 137 E-Bend 90 degree,
 flanges CMR137/CMR137, f= 5.38-8.17 GHz,
 VSWR max 1.06, A=100mm (4"),
 gasket and screw kit enclosure
 Body made out of copper or brass and flanges made out of brass



FEATURES / BENEFITS

Waveguide installation

- The rectangular waveguide component provides simple installation in particular difficult cases
- It can be installed where less space is available
- It provides outstanding electrical performance

Technical features

STRUCTURE

| | | |
|---|--|-----------------|
| Type of Rectangular Waveguide Component | | Bend in E-Plane |
| Waveguide Size IEC (EIA) | | R70 (WR137) |
| Flange A | | CMR137 |
| Flange B | | CMR137 |
| Flange Finish | | Brass un-plated |
| Package Quantity | | 1 |

ELECTRICAL SPECIFICATIONS

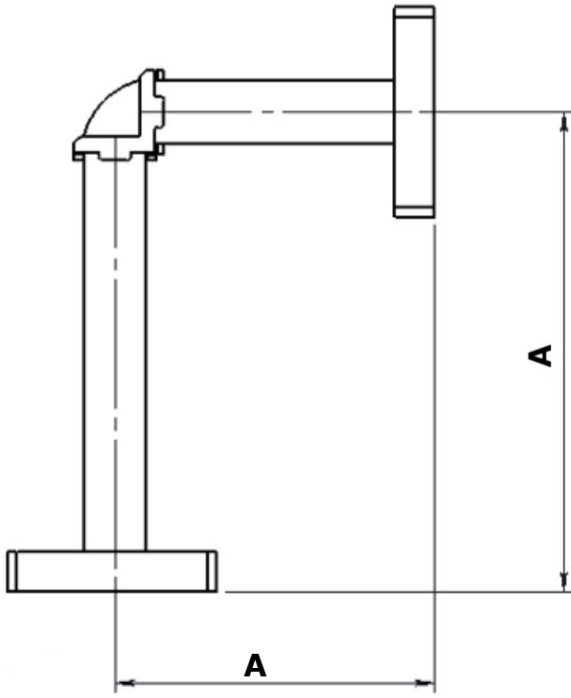
| | | |
|---------------------------------|-----------|-------------|
| Minimum Return Loss (max. VSWR) | dB (VSWR) | 30.7 (1.06) |
|---------------------------------|-----------|-------------|

MECHANICAL SPECIFICATIONS

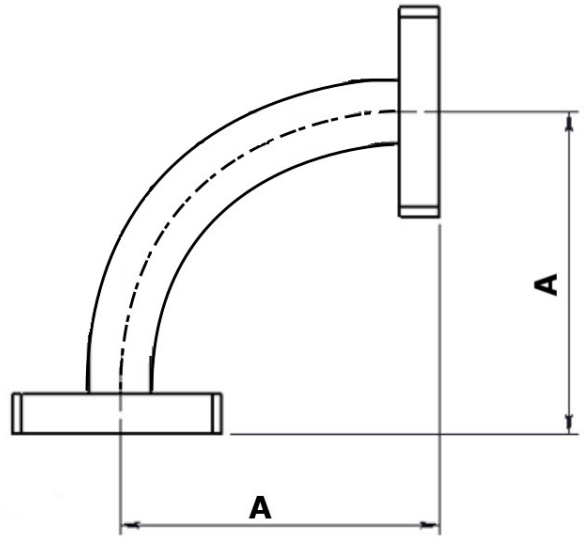
| | | |
|------------|---------|---------|
| Bend/Twist | degree | 90 |
| Length | mm (in) | 100 (4) |

MATERIAL

| | | |
|----------|--|-------|
| Material | | Brass |
| Color | | White |



Design with casted bend



Design with accurate waveguide bend

External Document Links

Notes