





**FDRM5015D4-1C**

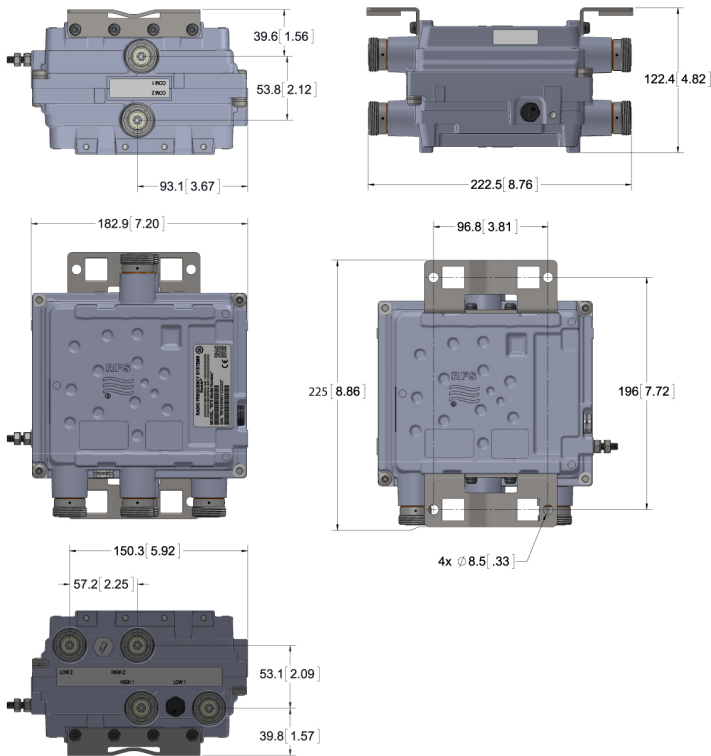
ShareLite™ 1695-2200 / 2300-2690 MHz Diplexer, Full DC/AISG Pass, Dual configuration, 4.3-10 Connectors

**TESTING AND ENVIRONMENTAL**

|                      |         |                             |
|----------------------|---------|-----------------------------|
| Temperature Range    | °C (°F) | -40 to 65 (-40 to 149)      |
| Ingress Protection   |         | IP 67                       |
| Environmental        |         | ETSI 300-019-2-4 Class 4.1E |
| Lightning Protection |         | EN/IEC61000-4-5 Level 4     |

**MECHANICAL SPECIFICATIONS**

|                                |         |   |
|--------------------------------|---------|---|
| RF Connectors                  |         | 4.3-10 Female; 4 ports in, 2 ports out  |
| Shipping Weight                | kg (lb) | 3.9 (8.6)   |
| Dimensions, H x W x D          | mm (in) | 156 x 183 x 103 (6.1 x 7.2 x 4.06)  |
| Shipping Dimensions, H x W x D | mm (in) | 156 x 183 x 103 (6.1 x 7.2 x 4.06)  |
| Mounting                       |         | Wall Mounting: With 4 screws (maximum 6mm diameter)<br>Pole Mounting: With included clamp set 40-110mm (1.57-4.33") |



**External Document Links**

- [RFS Diplexer Field Test Procedure](#)
- [FTBRM5015D7\\_Series\\_Installation\\_rev0.pdf](#)

**Notes**