



P1-B3L15-N0

8-Ports, X-Pol, Panel Antenna, 1.5m, 1x 690-960/3x 1695-2690MHz, 65deg, Integrated RET

FEATURES / BENEFITS

- 2 ports / 1 cross pol system in low band (690-960 MHz)
- 6 ports / 3 cross pol systems in high band (1695-2690 MHz)
- Integrated and field replaceable SRET
- ACU HW Version -HRLS200608H1.00
- Compliant with AISG V2.0 and 3GPP



Technical features

ELECTRICAL SPECIFICATIONS

Electrical Specification Header		LOW BAND ARRAY (690-960 MHz) [R1]		
Frequency Band	MHz	690-806	790-894	880-960
Gain Typical	dBi	14.7	15.1	15.4
Gain Over all Tilts	dBi	14.2 +/- 0.5	14.6 +/- 0.5	14.9 +/- 0.5
Azimuth Beamwidth 3dB	Deg	68.8 +/- 1.5	66.8 +/- 1.6	63.8 +/- 2.3
Elevation Beamwidth 3dB	Deg	15 +/- 1	13.5 +/- 0.5	12.5 +/- 1
Cross Polar Discrimination at Boresight	dB	23	25.7	26.9
Cross Polar Discrimination over Sector	dB	8.7	8	6.9
F/B at +/-30deg Total Power	dB	23	23	22
First Upper Side Lobe Suppression	dB	16	18.6	18
Electrical Downtilt	Deg	2 to 12		
Cross Polar Isolation	dB	28		
Interband Isolation	dB	28		
VSWR	-	1.5		
Passive Intermodulation (3rd Order, 2 x 43dBm)	dBc	-153		
Maximum Effective Power per Port	Watt	200		



ELECTRICAL SPECIFICATIONS

Electrical Specification Header		HIGH BAND ARRAY (1695-2690 MHZ) [Y1]				
Frequency Band	MHz	1695 - 1880	1850 - 1990	1920 - 2170	2300 - 2400	2490 - 2690
Gain Typical	dBi	16.6	17.1	17.3	17.5	18.1
Gain Over all Tilts	dBi	16.1 +/- 0.5	16.6 +/- 0.5	16.8 +/- 0.5	17.1 +/- 0.4	17.6 +/- 0.5
Azimuth Beamwidth 3dB	Deg	67.6 +/- 4.9	69 +/- 1.8	67.5 +/- 2.9	61.5 +/- 1.5	58.9 +/- 4.2
Elevation Beamwidth 3dB	Deg	6.7 +/- 0.5	6.1 +/- 0.4	5.8 +/- 0.5	5 +/- 0.1	5 +/- 0.1
Cross Polar Discrimination at Boresight	dB	29	27.8	26.6	24	22.9
Cross Polar Discrimination over Sector	dB	12	11	10	12	6
F/B at +/-30deg Total Power	dB	25	26.8	27	26.1	23
First Upper Side Lobe Suppression	dB	19	18.7	17.3	20	19
Electrical Downtilt	Deg	2 to 12				
Cross Polar Isolation	dB	28				
Interband Isolation	dB	28				
VSWR	-	1.5				
Passive Intermodulation (3rd Order, 2 x 43dBm)	dBc	-153				
Maximum Effective Power per Port	Watt	200				

ELECTRICAL SPECIFICATIONS

Electrical Specification Header		HIGH BAND ARRAY (1695-2690 MHZ) [Y2]				
Frequency Band	MHz	1695 - 1880	1850 - 1990	1920 - 2170	2300 - 2400	2490 - 2690
Gain Typical	dBi	16.4	17.1	17.9	17.9	18
Gain Over all Tilts	dBi	15.9 +/- 0.5	16.6 +/- 0.5	16.9 +/- 1	17 +/- 0.9	17 +/- 1
Azimuth Beamwidth 3dB	Deg	61.5 +/- 2.4	60.5 +/- 2	59.9 +/- 3.2	55.8 +/- 3.4	59 +/- 4.3
Elevation Beamwidth 3dB	Deg	7.5 +/- 0.5	6.7 +/- 0.5	6.3 +/- 0.5	5.4 +/- 0.5	5 +/- 0.1
Cross Polar Discrimination at Boresight	dB	21	21	20.8	19.2	19
Cross Polar Discrimination over Sector	dB	4.3	6	5	0.9	1
F/B at +/-30deg Total Power	dB	23	24	24	25	23
First Upper Side Lobe Suppression	dB	15	16	16	19.5	17.5
Electrical Downtilt	Deg	2 to 12				
Cross Polar Isolation	dB	28				
Interband Isolation	dB	28				
VSWR	-	1.5				
Passive Intermodulation (3rd Order, 2 x 43dBm)	dBc	-153				
Maximum Effective Power per Port	Watt	200				



ELECTRICAL SPECIFICATIONS

Electrical Specification Header		HIGH BAND ARRAY (1695-2690 MHZ) [Y3]				
Frequency Band	MHz	1695 - 1880	1850 - 1990	1920 - 2170	2300 - 2400	2490 - 2690
Gain Typical	dBi	16.9	17.4	17.4	17.2	18.1
Gain Over all Tilts	dBi	16.4 +/- 0.5	16.9 +/- 0.5	16.9 +/- 0.5	17.1 +/- 0.1	17.6 +/- 0.5
Azimuth Beamwidth 3dB	Deg	68.4 +/- 4.3	68.1 +/- 2.1	66.7 +/- 2.6	62 +/- 2	59.6 +/- 4.5
Elevation Beamwidth 3dB	Deg	6.7 +/- 0.5	6.1 +/- 0.1	5.9 +/- 0.5	5 +/- 0.1	5 +/- 0.1
Cross Polar Discrimination at Boresight	dB	27.7	30.6	28	25	26.2
Cross Polar Discrimination over Sector	dB	9	9	8.7	13	4.2
F/B at +/-30deg Total Power	dB	24	26	26.7	26	22
First Upper Side Lobe Suppression	dB	17	17.4	16	20	20
Electrical Downtilt	Deg	2 to 12				
Cross Polar Isolation	dB	28				
Interband Isolation	dB	28				
VSWR	-	1.5				
Passive Intermodulation (3rd Order, 2 x 43dBm)	dBc	-153				
Maximum Effective Power per Port	Watt	200				

ELECTRICAL SPECIFICATIONS

Impedance	Ohm	50
Polarization	Deg	±45°

MECHANICAL SPECIFICATIONS

Dimensions - H x W x D	mm (in)	1498 x 398 x 158 (59 x 15.7 x 6.2)
Weight (Antenna Only)	kg (lb)	21 (46.3)
Weight (Mounting Hardware only)	kg (lb)	4 (8.8)
Packing size- HxWxD	mm (in)	1678 x 493 x 278 (66.1 x 19.4 x 10.9)
Shipping Weight	kg (lb)	31.5 (69.4)
Connector type		8 x 4.3-10 female/bottom + 2 AISG connectors (1 male, 1 female)
Radome Material / Color		Fiberglass / Light Gray

TESTING AND ENVIRONMENTAL

Temperature Range	°C (°F)	-40 to 60 (-40 to 140)
Lightning protection		DC Ground
Survival/Rated Wind Velocity	km/h	200 (150)
Wind Load @Rated Wind Front	N	550
Wind Load @Rated Wind Side	N	270
Wind Load @Rated Wind Rear	N	615

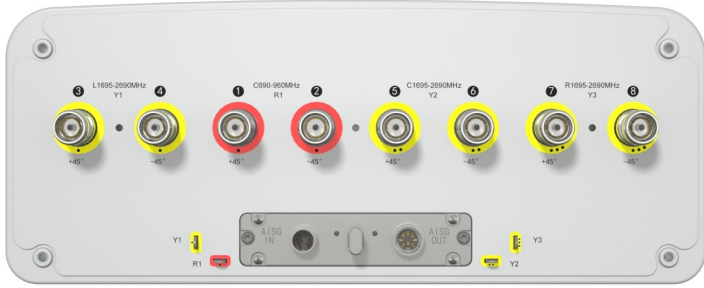
ORDERING INFORMATION

Order No.	Configuration	Mounting Hardware	Mounting pipe Diameter	Shipping Weight
P1-B3L15-N0	Internal RET(ACU-I20-H14)	APM50-H1	50-125 mm	31.5Kg



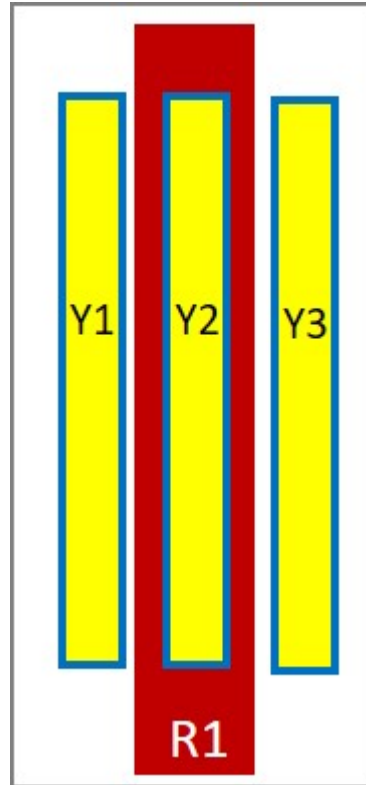
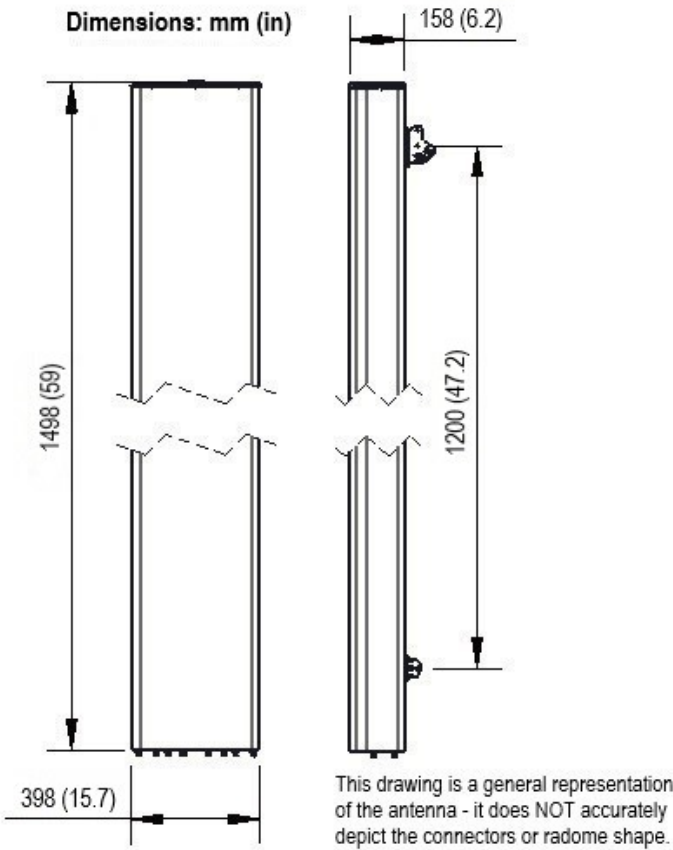
P1-B3L15-N0

8-Ports, X-Pol, Panel Antenna, 1.5m, 1x 690-960/3x 1695-2690MHz, 65deg, Integrated RET



P1-B3L15-N0				
Port	Array	Frequency	RET	AISG RET UID
1	R1	690-960	R1	RFxxxxxxxxxxxxxxxx-R1
2		690-960		
3	Y1	1695-2690	Y1	RFxxxxxxxxxxxxxxxx-Y1
4		1695-2690		
5	Y2	1695-2690	Y2	RFxxxxxxxxxxxxxxxx-Y2
6		1695-2690		
7	Y3	1695-2690	Y3	RFxxxxxxxxxxxxxxxx-Y3
8		1695-2690		

Dimensions: mm (in)



External Document Links
[APM50_Series_Installation_Instructions](#)

- Notes**
- All electrical parameters are compliant with BASTA NGMN 11.1 requirements.
 - For additional mounting information please click "External Document Links".
 - **Radiating patterns:** [Request pattern files](#)