



As a pioneer of the E-band antenna solution, RFS has been refining the products since they were launched in 2012. Now, RFS has introduced the market to a new 1ft, high gain E-band antenna. This new ETSI compliant 1ft antenna features significantly improved performance levels, especially on gain specifications, to support longer links and better quality of service. RFS E-Band antennas enable high-capacity applications on short distances. They are ideal for small cell, front haul and traditional short distance backhaul applications in urban environments. The antennas small form factor and compact mounting system simplify installation time and effort. In fact, the new E-Band antenna can be field-assembled in less than 6 minutes for faster and safer deployments.



FEATURES / BENEFITS

It can survive winds up to 320 Km/h without additional reinforcement. It is available in single and dual-polarized models with the ability to upgrade from single to dual polarization to support future capacity increases

Note: E-band antennas are only available for direct mount installation.

Technical features

GENERAL SPECIFICATIONS

| | | |
|---------------|--|-------------------------|
| Product Type | | Point to point antennas |
| Profile | | CompactLine |
| Performance | | Ultra High |
| Polarization | | Single |
| Antenna Input | | UG-387/U |
| Reflector | | 1-part |
| Radome | | Rigid |
| Antenna color | | White RAL 9010 |
| Swaybar | | 0: (not applicable) |

ELECTRICAL SPECIFICATIONS

| | | |
|-----------------------|-----------|--------------------------------|
| Frequency | GHz | 71 - 86 |
| 3dB beamwidth | degrees | 0.7 |
| Low Band Gain | dBi | 45.2 |
| Mid Band Gain | dBi | 46 |
| High Band Gain | dBi | 46.5 |
| F/B Ratio | dB | 66 |
| XPD | dB | 27 |
| Max VSWR / R L | VSWR / dB | 1.5 (14) |
| Regulatory Compliance | | ETSI EN 302217 Range 7 Class 3 |



MECHANICAL SPECIFICATIONS

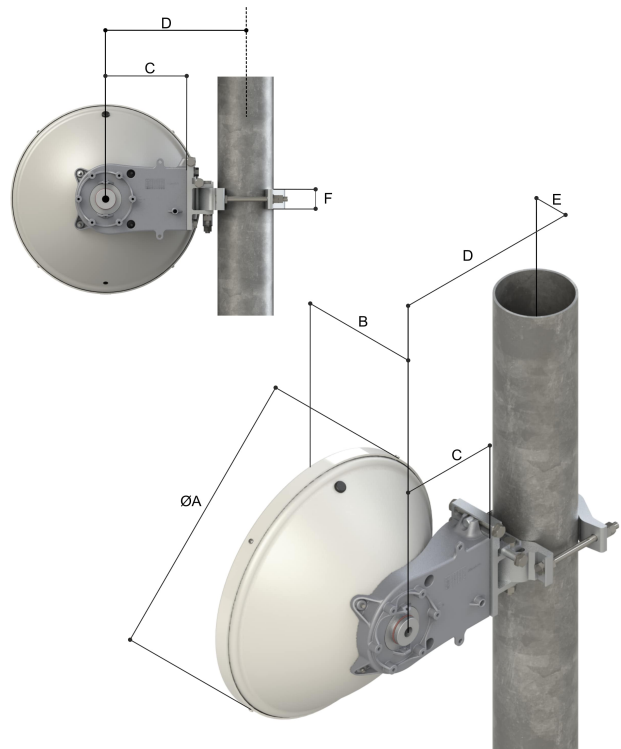
| | | |
|--------------------------------|------------|-----------|
| Diameter | ft (m) | 1 (0.3) |
| Elevation Adjustment | degrees | ± 15 |
| Azimuth Adjustment | degrees | ± 15 |
| Polarization Adjustment | degrees | ± 5 |
| Mounting Pipe Diameter minimum | mm (in) | 48 (1.9) |
| Mounting Pipe Diameter maximum | mm (in) | 114 (4.5) |
| Approximate Weight | kg (lb) | 5 (11) |
| Survival Windspeed | km/h (mph) | 320 (198) |
| Operational Windspeed | km/h (mph) | 252 (156) |

FURTHER ACCESSORIES

| | | |
|------------------|--|---------------------|
| optional Swaybar | | 0: (not applicable) |
|------------------|--|---------------------|

MOUNTOUTLINE

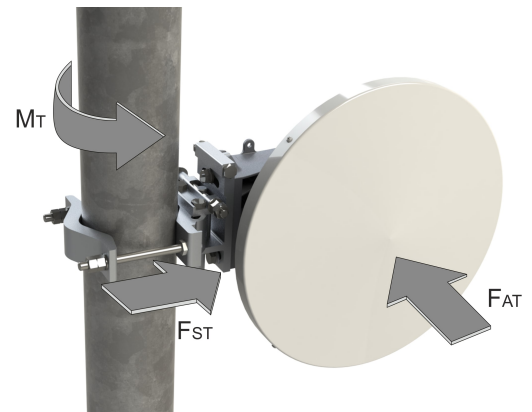
| | | |
|-------------------------|---------|---------------|
| Dimension_A | mm (in) | 387 (15.2) |
| Dimension_B | mm (in) | 187 (7.4) |
| Dimension_C | mm (in) | 165 (6.5) |
| Dim_D-51mm(2_in)Pipe | mm (in) | 250 (9.8) |
| Dim_D-89mm(3.5_in)Pipe | mm (in) | 270.5 (10.65) |
| Dim_D-114mm(4.5_in)Pipe | mm (in) | 283 (11.1) |
| Dimension_E | mm (in) | 46 (1.8) |
| Dimension_F | mm (in) | 40 (1.6) |





WINDLOAD

| | | |
|--|------------|-----------|
| Fs Side force max. @ survival wind speed | N (lb) | 354 (80) |
| Fa Axial force max. @ survival wind speed | N (lb) | 715 (161) |
| M Torque maximum @ survival wind speed Nm (ft lb) | Nm (lb ft) | 230 (170) |



PACKAGING

| | | |
|-------------------------------|-----------------------------------|------------|
| Packaging type | | Cardboard |
| Packaging Width | cm (inch) | 40 (15.7) |
| Packaging Length | cm (inch) | 40 (15.7) |
| Packaging Height | cm (inch) | 25 (9.8) |
| Packaging Volume | m ³ (ft ³) | 0.04 (1.4) |
| Packaging Weight gross | kg (lb) | 6 (13.2) |

Package dimensions valid for delivery from European factory. Deliveries from other factories might differ.

External Document Links

- [SC1/SCX1 PACKING](#)
- [Mount installation instruction](#)
- [RPE \(IQ-link format\)](#)
- [RPE \(PDF format\)](#)
- [RPE \(Pathloss format\)](#)

Notes

Generic datasheet