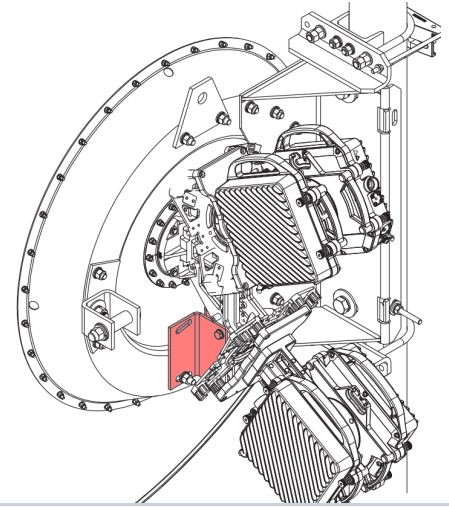




Reimforcement steel angles for OMT with Parabolic Antennas 6ft

**FEATURES / BENEFITS**

- The reinforcement steel angles increase the stability of the OMT in case 4 ODUs are installed on the antenna.
- The reinforcement kit reduces vibration of the OMT and increases stability of the antenna in worst case conditions.



**Technical features**

**MECHANICAL PROPERTIES**

<b>Diameter</b>	m (ft)	
<b>Weight</b>	kg (lb)	1 (2.2)

**STRUCTURE**

<b>Product Type</b>		Reinforcement Hardware
<b>Kit Type</b>		Reimforcement steel angles
<b>Material</b>		Hot-dip galvanised steel

**External Document Links**

[Installation Instruction](#)

**Notes**

Only accessible for CompactLine SBX6 antennas with RFS OMT from 6 GHz to 23 GHz

Only necessary in case of the installation of 4 ODUs.

Packing dimensions :

Cardboard L/I/H

20/20/11 cm