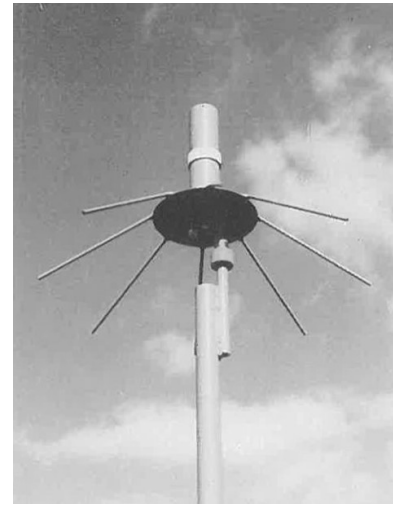




These omnidirectional antennas have constant patterns and impedance over a greater bandwidth than a conventional ground plane or coaxial dipole antennas. This superiority makes them eminently suitable for use at base stations for mobile systems and particularly for ground to air communication services.

They are of rugged construction. Standard models are manufactured from aluminium.



Model 218.1 shown

FEATURES / BENEFITS

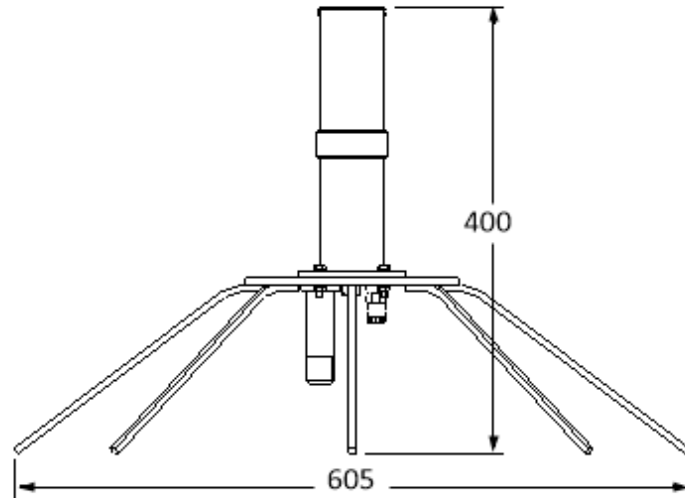
- Broad elevation radiation pattern provides superior coverage for ground to air links
- Designed to withstand the most severe weather conditions
- Robust design and construction
- Heavy-duty welded on radials
- Painted finish for additional weather protection
- Can be mounted to a horizontal surface (model 218) or to a mounting pole (model 218.1)

Technical features

ELECTRICAL SPECIFICATIONS		
Operating Frequency Range	MHz	225-400
Gain	dBi	2.0 (+0 / -1)
Polarization		Vertical
Azimuth Radiation Pattern		Omni Directional ± 0.25dB
Half Power Beamwidth Elevation	degrees	95
VSWR		<2.0:1
Maximum Power Rating	kW	0.3 average. Higher power ratings available upon request
Input Connector		N-type receptacle
Impedance (unbalanced), ohms	Ω	50
MECHANICAL SPECIFICATIONS		
Dimensions		Refer to diagram
Mounting		218 Model: Designed for horizontal mounting. Refer diagrams. 218.1 Model: Permits mounting onto vertical surfaces. U-bolts supplied for use on poles with OD of up to 50mm
Wind Survival Rating (No ice)	km/h (mph)	220 (136.7) to AS1170.2
Weight	kg (lb)	Model 218: 2.3 (5.1) Model 218.1 : 3.1 (6.8)
Effective Projected Area	sq m (sq ft)	0.96 (10.3)
TEMPERATURE SPECIFICATIONS		
Operating Temperature Range	°C (°F)	-40 to 80 (-40 to 176)
MATERIAL		
Material		Aluminium
Colour		Grey or Olive Drab
Finish		External metal surfaces are painted

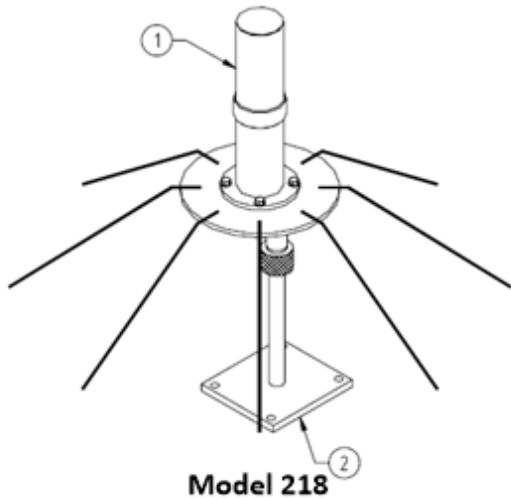


ANTENNA DIMENSION

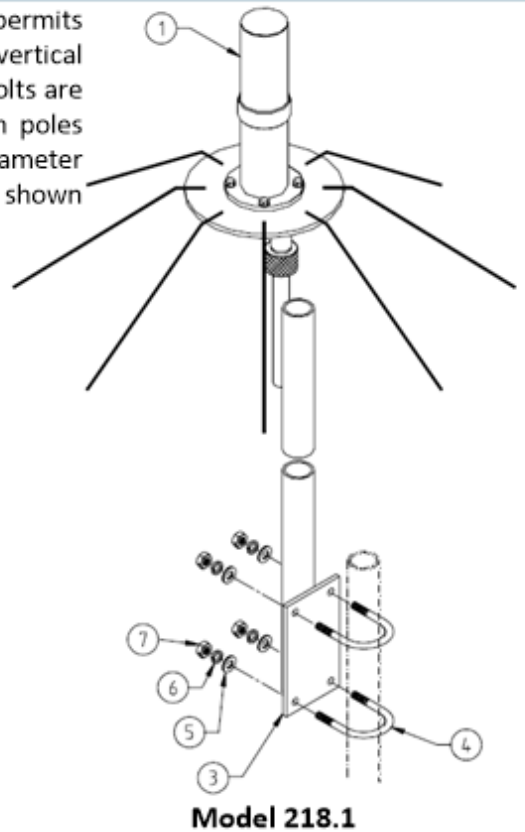


MOUNTING DETAILS

The model 218 is designed for mounting onto horizontal surfaces using M8 bolts as shown below



The model 218.1 permits mounting onto vertical surfaces. Two 'U' bolts are supplied for use on poles with an outside diameter of up to 50 mm as shown below.



[External Document Links](#)

[Notes](#)