



OMNI FIT™ high performance connectors are designed for use with both CELLFLEX® (copper) and CELLFLEX® Lite (aluminum) cables. They are designed specifically to provide the highest quality connector - cable interface while simplifying and speeding up connector attachment. The 4.3-10 connector is an innovative, space-saving RF connection meeting all requirements even under the most severe environmental conditions and not relying on coupling nut torque to meet PIM performance.

Push-Pull lock and unlock attachment mechanism that is ideal for the smallest installation spaces.

FEATURES / BENEFITS

- Cost effective two-piece design for safe and easy installation
- Compatible with copper and aluminium cable types i.e. one connector for both outer conductor materials eliminates the risk of faulty connector installation and helps to keep inventory down
- Robust mechanical design for low and consistent intermodulation performance i.e. keeps the mobile network performance up reduces the number of dropped calls and avoids revenue losses
- Superior electrical performance for consistent and repeatable VSWR i.e. ensure network system performance
- Waterproof to IP 68 i.e. no downtime risk, secures revenue
- RoHS (EU) and CRoHS (China) compliant i.e. can be used on a global basis
- Push-Pull Type connector possesses special mechanical design to support quickest lock & unlock feature within the most confined smallest installation space where only accommodates one of the hands



43MP-LCF78-C03

Technical features

GENERAL SPECIFICATIONS

Transmission Line Type		Coaxial Cable	
Cable Size		7/8	
Cable Type		Foam Dielectric	
Model Series		LCF78-50 Series	RCF78-50 Series
Connector Interface		4.3-10 Push-Pull	
Connector Type		OMNI FIT™ Standard	
Sealing Method		O-ring	
Gender		Male	

ELECTRICAL SPECIFICATIONS

Nominal Impedance, ohms	Ohm	50	
3rd Order IM Product @ 2x20 Watts	dBc	-162 ; typical -166	
Maximum Frequency	GHz	6.0	
VSWR, Return Loss	VSWR (dB)	0 $\leq f \leq 1.0 \text{ GHz}$: 1.03 (36.6) 1.0 $\leq f \leq 2.7 \text{ GHz}$: 1.04 (34.1) 2.7 $\leq f \leq 3.7 \text{ GHz}$: 1.08 (28.3) 3.7 $\leq f \leq 5.0 \text{ GHz}$: 1.10 (26.4) 5.0 $\leq f \leq 6.0 \text{ GHz}$: 1.25 (19.1)	



PRODUCT DATASHEET
43MP-LCF78-C03

4.3-10 Male Push-Pull Connector for 7/8" Coaxial Cable, OMNI FIT™ standard, O-ring sealing

MECHANICAL SPECIFICATIONS

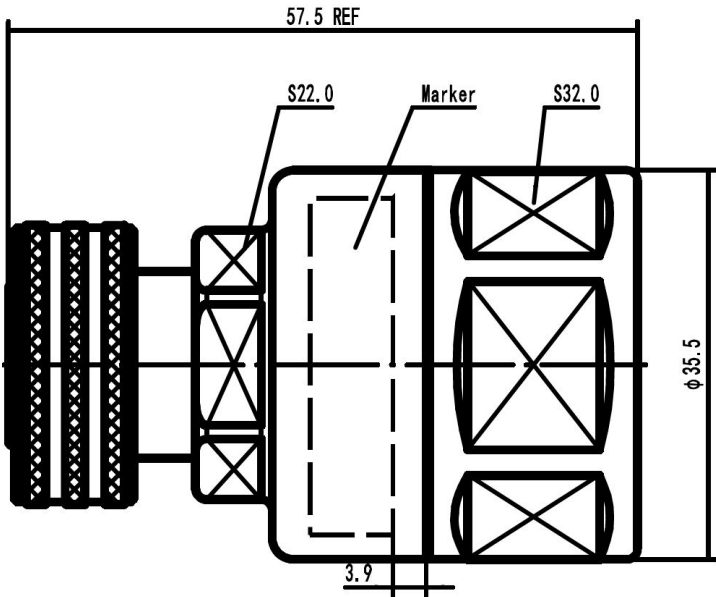
Plating Outer/Inner		Trimetal/Silver
Length	mm (in)	57.5 (2.26)
Outer Diameter	mm (in)	35.5 (1.4)
Inner Contact Attachment		Spring Finger
Outer Contact Attachment		Spring C-Ring

ACCESSORIES

Wrench size front	mm (in)	22 (0.87)
Wrench size rear	mm (in)	32 (1.26)
Trimming Tool		TRIM-SET-L78-C02

TESTING AND ENVIRONMENTAL

Waterproof Level		IP68
------------------	--	------



43MP-LCF78-C03 Outline drawing

[External Document Links](#)
[Installation Instruction](#)

[Notes](#)