



PRODUCT DESCRIPTION

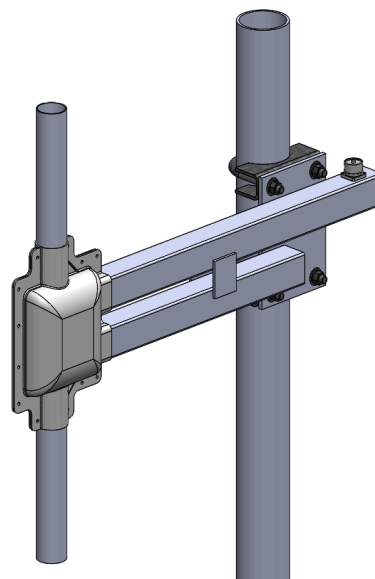
These vertically polarized antennas for TV and DAB broadcasting applications are intended for use where low wind loadings are required. They are designed to be side mounted to a pole or tower leg and optional mounting brackets are available for this purpose.

The 628 series are fabricated from stainless steel and will handle up to 2.5kW input power per bay for standard models. Higher power ratings are available on request.

Feed-point radomes are standard for the 628 series.

Multiple element arrays are supplied as a complete package including power dividers and distribution cables. An optional input tuner ensures optimum VSWR performance after the installation as it enables the effects of tower steelwork to be eliminated.

The 628 series can be supplied with up to 6 or more bays as required.



FEATURES / BENEFITS

- Rugged construction for maximum corrosion protection
- Broadband operation
- Multi-channel use
- Optional pressurization of the power divider and cable network
- Low wind load to minimize tower or mast costs
- Vertical polarization
- Temperature range -40 to +60°C available

TECHNICAL FEATURES

DETAILS

Product Type		Band III (High VHF) TV/DAB Panel Array 628
---------------------	--	--

ELECTRICAL SPECIFICATIONS

Antenna Type		Broadband VHF Dipole Antenna
Operating Frequency Range	MHz	174-240
Polarization		Vertical
Azimuth Radiation Pattern		Omnioid
Impedance	Ohms	50

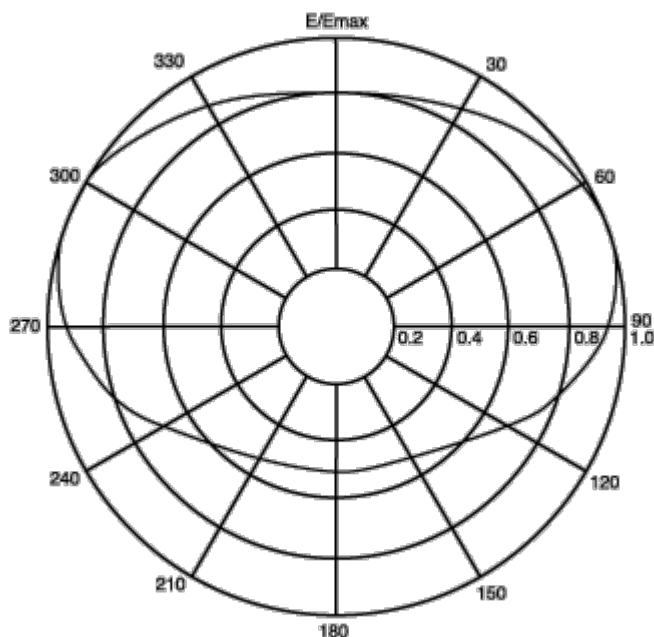
MECHANICAL SPECIFICATIONS

Material		Stainless Steel
Pressurization		Non-pressurized as standard. Option to pressurize feed network

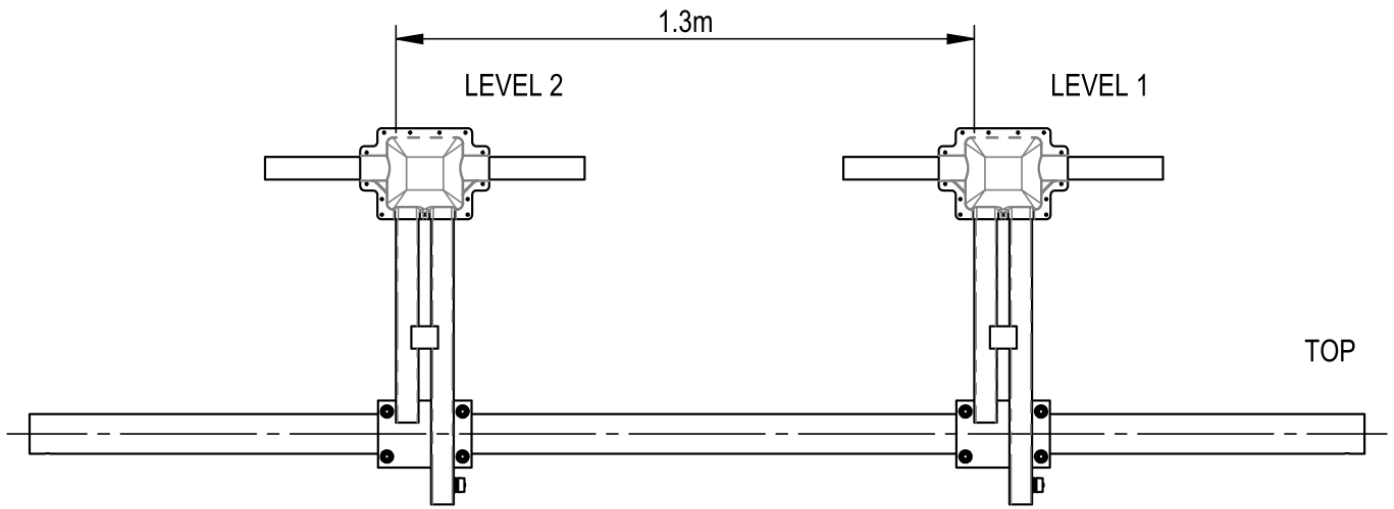


MODEL NUMBER SPECIFICATIONS

Antenna Model		628-1	628-2	628-4	628-6
Number of Bays		1	2	4	6
Nominal Gain (Mid-band)	dBd	1.9	5.1	8.2	10.0
Azimuth Radiation Pattern	[note 1]	Omnioid - refer plot			
Return Loss	dB	17	20		
Power Rating	kW [note 2]	2.5	5	10	15
Input Connector		7-16 DIN	7/8" EIA Flange or 1-5/8" EIA Flange		
Dimensions (Height or Length)	cm (in)	69.5 (27.4) typical	210 (82.6)	460 (181)	769.5 (303) typical
Dimensions (Width)	cm (in)	6 (2.4)			
Dimensions (Depth)	cm (in)	100.8 (39.7)			
Mounting (Standard)	mm (in)	Clamping Dia. 43 - 76 (1.7 - 3)			
Mounting Type		Side			
Effective Area Front (Full Antenna) No Ice	m ² (ft ²) [note 3,4,5]	0.11 (1.18)	0.22 (2.37)	0.44 (4.74)	0.66 (7.10)
Wind Load@ 50 m/s Front	kN (lb) [note 3,4,5]	0.13 (30)	0.26 (60)	0.52 (120)	0.78 (180)
Weight	kg (lb)	8 (18)	30 (66)	65 (143)	105 (231)



Azimuth Pattern



628 pole mounted array typical spacing

External Document Links

Notes

Note 1 When antenna is mounted on a mast/tower with a face width of less than 150mm.

Note 2 Input power is limited to 5 kW maximum if a 7/8" connector is used.

Note 3 Connecting cables are considered shielded by the tower and are not included in calculations. Allow 0.03 metre squared per metre length if not shielded. Does not apply to the 628-1 model.

Note 4 Power divider is considered shielded by the tower and not included. Allow 0.13 metre squared if not shielded. Does not apply to the 628-1 model.

Note 5 Calculated in accordance with AS1170-1989, Part 2: "SAA Loading Code - Wind Forces".