



FEATURES / BENEFITS

- MIMO 4x4 in low-band and mid-band
- Integrated and fieldreplaceable RET
- ACU model number: x2 ACU-A20-SR, ACU HW 05
- Compliant with AISG V2.0 and 3GPP
- AISG jumper cable included
- Mechanical down tilt kit included
- Manual overdrive



Technical features

ELECTRICAL SPECIFICATIONS

Electrical Specification Header		Low Band Arrays (617-894 MHz) Ports 1-4		
Frequency Band	MHz	617-698	698-806	806-894
Gain	dBi	15.8	16.0	16.1
Azimuth Beamwidth 3dB	Deg	65 +/-2	64 +/-2	62 +/-5
Elevation Beamwidth 3dB	Deg	9.9 +/-1	8.6 +/--.8	7.5 +/--.5
Cross-Pol at Boresight	dB	17	19	17
F/B at 180 Copolar	dB	30	30	32
Electrical Downtilt	Deg	2 to 12	2 to 12	2 to 12
First Upper Side Lobe	dB	16	16	14
VSWR	-	1.5:1	1.5:1	1.5:1
Return Loss	dB	-14	-14	-14
Cross Polar Isolation	dB	25	25	25
3rd Order PIM 2 x 43dBm	dBc	-153	-153	-153
Maximum CW Power per Port	Watt	400	400	400
Gain Over All Tilts	dBi	15.2 +/- .6	15.5 +/- .5	15.7 +/- .4
Cross-Pol over Sector	dB	4	4	6
F/B at +/-30 Total Power	dB	17	19	23
Upper Side Lobe Peak to +20	dB	16	16	14



ELECTRICAL SPECIFICATIONS

Electrical Specification Header		Mid Band Arrays (1695-2690 MHz) Ports 5-8			
Frequency Band	MHz	1695-1780	1850-1990	1995-2200	2200-2690
Gain	dBi	18.2	18.7	19.1	18.7
Azimuth Beamwidth 3dB	Deg	67 +/-5	65 +/-4	66 +/-8	61 +/-6
Elevation Beamwidth 3dB	Deg	6.0 +/- .2	5.0 +/--.5	4.5 +/--.3	4.0 +/--.3
Cross-Pol at Boresight	dB	22	18	14	18
F/B at 180 Copolar	dB	31	30	29	27
Electrical Downtilt	Deg	2 to 12	2 to 12	2 to 12	2 to 12
First Upper Side Lobe	dB	15	15	15	14
VSWR	-	1.5:1	1.5:1	1.5:1	1.5:1
Return Loss	dB	-14	-14	-14	-14
Cross Polar Isolation	dB	25	25	25	25
3rd Order PIM 2 x 43dBm	dBc	-153	-153	-153	-153
Maximum CW Power per Port	Watt	300	300	300	300
Gain Over All Tilts	dBi	17.5 +/- .6	17.9 +/- .6	18.5 +/- .5	17.8 +/- .6
Cross-Pol over Sector	dB	8	8	8	2
F/B at +/-30 Total Power	dB	25	23	22	19
Upper Side Lobe Peak to +20	dB	14	14	14	13

ELECTRICAL SPECIFICATIONS

Impedance	Ohm	50
Polarization	Deg	+/- 45

MECHANICAL SPECIFICATIONS

Dimensions - H x W x D	mm (in)	2435 x 610 x 225 (95.9 x 24 x 8.9)
Weight (Antenna Only)	kg (lb)	54 (119)
Weight (Mounting Hardware only)	kg (lb)	7.5 (16.5)
Packing size- HxWxD	mm (in)	2645 x 735 x 285 (104.1 x 28.9 x 11.2)
Shipping Weight	kg (lb)	70 (154)
Connector type		8 x 4.3-10 female at bottom
Radome Material / Color		Fiber Glass / Light Grey RAL7035

TESTING AND ENVIRONMENTAL

Temperature Range	°C (°F)	-40 to 60 (-40 to 140)
Lightning protection		Direct Ground
Survival/Rated Wind Velocity	km/h	240 (150)
Wind Load @Rated Wind Front	N	1428
Wind Load @Rated Wind Side	N	434
Wind Load @Rated Wind Rear	N	1476

ORDERING INFORMATION

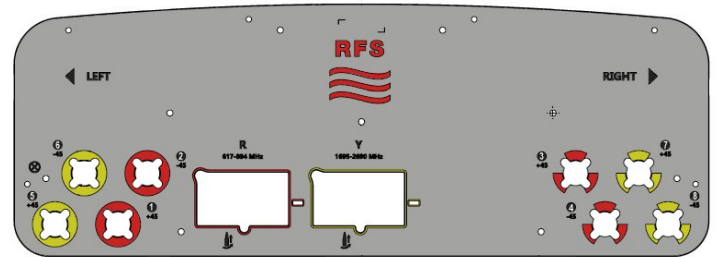
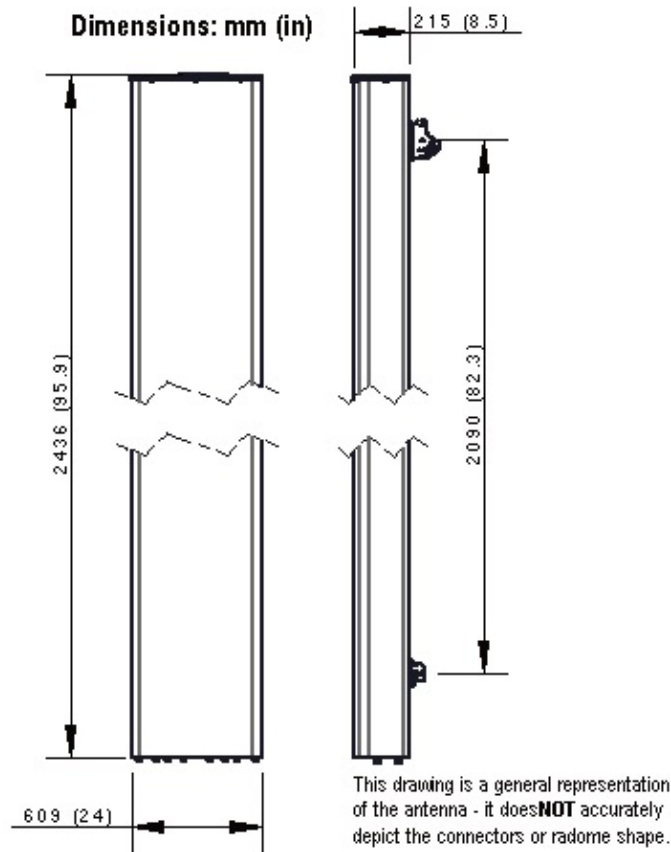
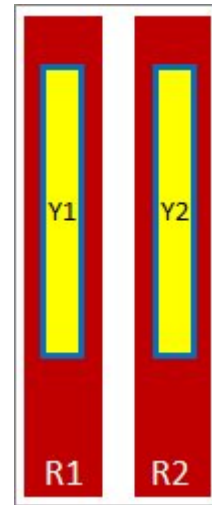
Order No.	Configuration	Mounting Hardware	Mounting pipe Diameter	Shipping Weight
APXVAALL24_43-U-NA20	ACU-A20-SR Field Replace RET included (2)	APM40-5E Beam tilt kit (included)	60-120mm	70 Kg (154 lb)



APXVAALL24_43-U-NA20

8-Ports, X-Pol, Panel Antenna, 2.4m, 2x 617-894/2x 1695-2690 MHz 65deg, Integrated RET

Port	Array	Frequency	RET	AISG RET UID
1	R1	617-894	R1	RFxxxxxxxxxxx-2R1
2		617-894		
3	R2	617-894		
4		617-894		
5	Y1	1695-2690	Y1	RFxxxxxxxxxxx-2Y1
6		1695-2690		
7	Y2	1695-2690		
8		1695-2690		



External Document Links

[APM40_Series_Installation_Instructions](#)

RET Information		
Frequency	617-894	1695-2690
Model	ACU-A20-SR	ACU-A20-SR
Location	Semi-internal	Semi-Internal
Field Replaceable	Yes	Yes
Quantity	1	1
RET ID	R1	Y1

Notes

- All electrical parameters are compliant with BASTA NGMN 11.1 requirements.
- For additional mounting information please click "External Document Links".

• **Radiating patterns:** [Request pattern files](#)



PRODUCT DATASHEET

APXVAALL24_43-U-NA20

8-Ports, X-Pol, Panel Antenna, 2.4m, 2x 617-894/2x 1695-2690 MHz 65deg, Integrated RET

