



FEATURES / BENEFITS

- 4 ports / 2 cross pol system in low band (698-960MHz)
- Integrated and field replaceable SRET
- ACU HW Version: HRLS170901H1.00
- Compliant with AISG V2.0 and 3GPP
- Optimized radome for low windload.



Technical features

ELECTRICAL SPECIFICATIONS

Electrical Specification Header		Low Band Array (698-960 MHz) [R1]		
Frequency Band	MHz	698-806	790-894	880-960
Gain Typical	dBi	16	16.4	16.1
Gain Over all Tilts	dBi	15.5 +/- 0.5	15.9 +/- 0.5	16 +/- 0.1
Azimuth Beamwidth 3dB	Deg	66.3 +/- 3.5	64.6 +/- 3.5	64.7 +/- 4.7
Elevation Beamwidth 3dB	Deg	8.7 +/- 0.5	7.9 +/- 0.5	7 +/- 0.1
Cross Polar Discrimination at Boresight	dB	19	20	23
Cross Polar Discrimination over Sector	dB	13	10	9
F/B at +/-30deg Total Power	dB	23	22	22
First Upper Side Lobe Suppression	dB	17	19	22
Electrical Downtilt	Deg	0 to 10		
Cross Polar Isolation	dB	27		
Interband Isolation	dB	27		
VSWR	-	1.5		
Passive Intermodulation (3rd Order, 2 x 43dBm)	dBc	-153		
Maximum Effective Power per Port	Watt	250		

**ELECTRICAL SPECIFICATIONS**

Electrical Specification Header		Low Band Array (698-960 MHz) [R2]		
Frequency Band	MHz	698-806	790-894	880-960
Gain Typical	dBi	16.1	16.1	16.8
Gain Over all Tilts	dBi	15.6 +/- 0.5	16 +/- 0.1	16.3 +/- 0.5
Azimuth Beamwidth 3dB	Deg	66.6 +/- 3.5	64.3 +/- 3.8	64.9 +/- 4
Elevation Beamwidth 3dB	Deg	8.7 +/- 0.5	7.9 +/- 0.5	7.1 +/- 0.1
Cross Polar Discrimination at Boresight	dB	22.7	22	27
Cross Polar Discrimination over Sector	dB	15	10	9
F/B at +/-30deg Total Power	dB	23	22	22
First Upper Side Lobe Suppression	dB	17	19.3	22
Electrical Downtilt	Deg	0 to 10		
Cross Polar Isolation	dB	27		
Interband Isolation	dB	27		
VSWR	-	1.5		
Passive Intermodulation (3rd Order, 2 x 43dBm)	dBc	-153		
Maximum Effective Power per Port	Watt	250		

ELECTRICAL SPECIFICATIONS

Impedance	Ohm	50
Polarization	Deg	±45°

MECHANICAL SPECIFICATIONS

Dimensions - H x W x D	mm (in)	2498 x 469 x 205 (98.4 x 18.5 x 8.1)
Weight (Antenna Only)	kg (lb)	30.2 (66.6)
Weight (Mounting Hardware only)	kg (lb)	9 (19.8)
Packing size- HxWxD	mm (in)	2698 x 544 x 330 (106.2 x 21.4 x 13)
Shipping Weight	kg (lb)	45.8 (101)
Connector type		4 x 4.3-10 Female at bottom + 2 AISG connectors (1 male, 1 female)
Radome Material / Color		Fiberglass / Light Grey RAL7035

TESTING AND ENVIRONMENTAL

Temperature Range	°C (°F)	-40 to 60 (-40 to 140)
Lightning protection		Direct Ground
Survival/Rated Wind Velocity	km/h	200 (150)

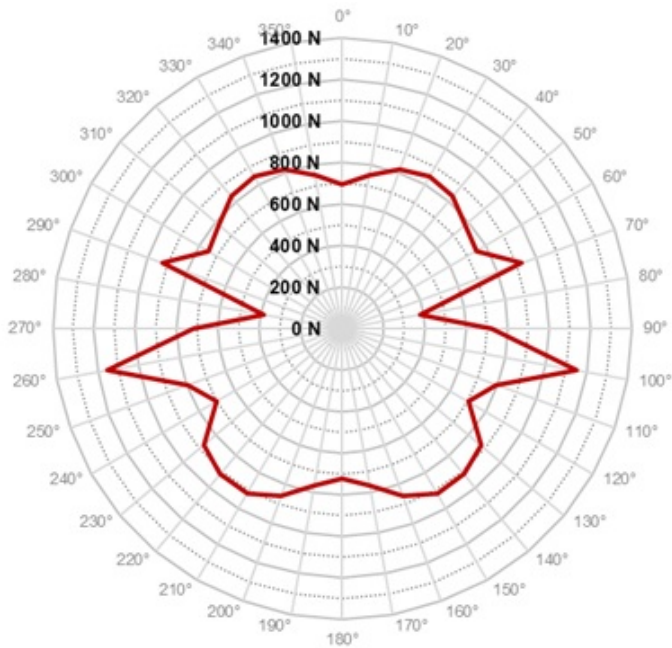
ORDERING INFORMATION

Order No.	Configuration	Mounting Hardware	Mounting pipe Diameter	Shipping Weight
APXVBB26H2_43-C-I20	Internal RET(ACU-I20-H12A)	APM50-HS	50 - 125mm	45.8 kg



APXVBB26H2_43-C-I20

4-Ports, X-Pol, Panel Antenna, 2.5m, 2x 698-960MHz, 65deg, Integrated RET



Rated Wind Speed, Km/h	150
Wind Load Frontal, Resultant, N	693
Wind Load Side, Resultant, N	720
Wind Load Rear, Resultant, N	723
Maximum Wind Load, Resultant, N	1153
Maximum Wind Load, Drag Force, N	916



Port	Array	Frequency	RET	AISG RET UID
1	R1	698-960 MHz	R1	RFxxxxxxxxxx-R1
2				
3	R2	698-960 MHz	R2	RFxxxxxxxxxx-R2
4				

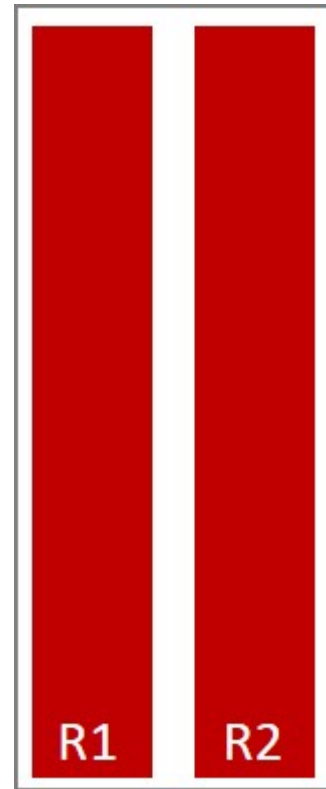
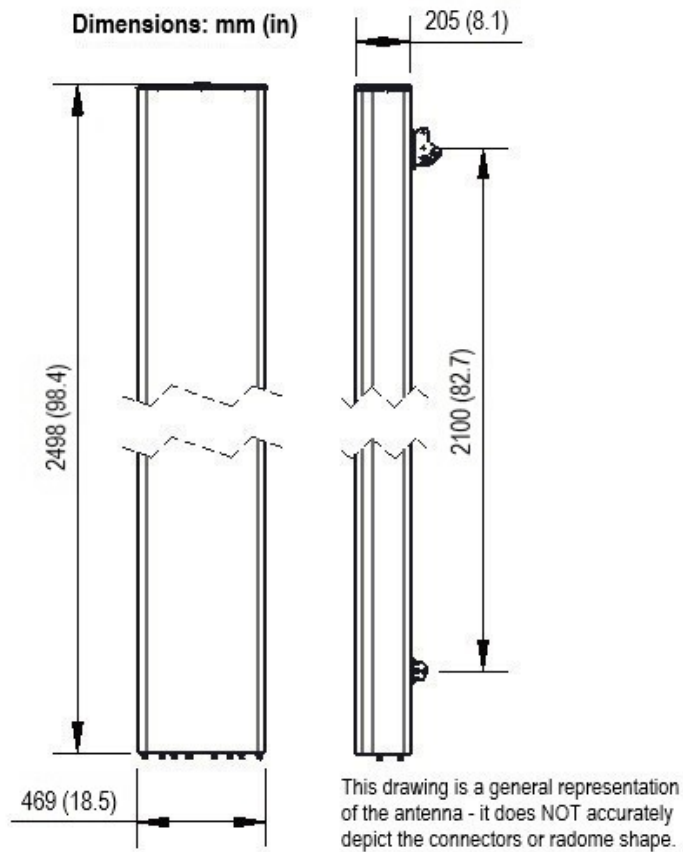
NOTE: RET motors will tilt one at a time, not simultaneously





APXVBB26H2_43-C-I20

4-Ports, X-Pol, Panel Antenna, 2.5m, 2x 698-960MHz, 65deg, Integrated RET



External Document Links

[APM50_Series_Installation_Instructions](#)

Notes

- All electrical parameters are compliant with NGMN P-BASTA 12 requirements.
- For additional mounting information please click "External Document Links".
- **Radiating patterns:** [Request pattern files](#)