



**FEATURES / BENEFITS**

- 4 ports / 2 cross pol systems in low band (698-960MHz)
- 8 ports / 4 cross pol systems in high band (1710-2690MHz)
- Supporting 4x4 MIMO in low band and high band
- Integrated and field replaceable SRET
- ACU HW Version: 2.02
- Compliant with AISG V2.0 and 3GPP



**Technical features**

**ELECTRICAL SPECIFICATIONS**

Electrical Specification Header		Low Band Array (698-960 MHz) [R1]		
Frequency Band	MHz	698 - 806	790 - 894	880 - 960
Gain Typical	dBi	16.9	17.2	17.6
Gain Over all Tilts	dBi	16.2 +/- 0.7	16.9 +/- 0.3	17.1 +/- 0.5
Azimuth Beamwidth 3dB	Deg	65.6 +/- 2.4	64.8 +/- 1.9	67.6 +/- 3.4
Elevation Beamwidth 3dB	Deg	8.7 +/- 0.6	7.9 +/- 0.6	7.1 +/- 0.4
Cross Polar Discrimination at Boresight	dB	19.5	20.5	22.7
Cross Polar Discrimination over Sector	dB	11.6	12.6	8.9
F/B at +/-30deg Total Power	dB	21	23.4	22.3
First Upper Side Lobe Suppression	dB	17.6	17.3	14.7
Electrical Downtilt	Deg	2 to 12		
Cross Polar Isolation	dB	26		
Interband Isolation	dB	26		
VSWR	-	1.5		
Passive Intermodulation (3rd Order, 2 x 43dBm)	dBc	-153		
Maximum Effective Power per Port	Watt	500		



**ELECTRICAL SPECIFICATIONS**

Electrical Specification Header		Low Band Array (698-960 MHz) [R2]		
Frequency Band	MHz	698 - 806	790 - 894	880 - 960
Gain Typical	dBi	16.7	17.2	17.6
Gain Over all Tilts	dBi	16.1 +/- 0.6	16.8 +/- 0.4	17.1 +/- 0.5
Azimuth Beamwidth 3dB	Deg	65.5 +/- 3.7	64.6 +/- 1.7	67.8 +/- 4.5
Elevation Beamwidth 3dB	Deg	8.6 +/- 0.5	7.9 +/- 0.6	7.1 +/- 0.3
Cross Polar Discrimination at Boresight	dB	20.3	20.8	19.6
Cross Polar Discrimination over Sector	dB	10.5	12.1	9.6
F/B at +/-30deg Total Power	dB	19.8	22.7	22.4
First Upper Side Lobe Suppression	dB	17.4	16.9	15.5
Electrical Downtilt	Deg	2 to 12		
Cross Polar Isolation	dB	26		
Interband Isolation	dB	26		
VSWR	-	1.5		
Passive Intermodulation (3rd Order, 2 x 43dBm)	dBc	-153		
Maximum Effective Power per Port	Watt	500		

**ELECTRICAL SPECIFICATIONS**

Electrical Specification Header		High Band Array (1710-2690 MHz) [Y1]				
Frequency Band	MHz	1710 - 1880	1850 - 1990	1920 - 2170	2300 - 2400	2490 - 2690
Gain Typical	dBi	16.3	16.3	17.7	17.3	17.3
Gain Over all Tilts	dBi	15.7 +/- 0.6	15.7 +/- 0.6	16.4 +/- 1.3	16.6 +/- 0.7	16.8 +/- 0.5
Azimuth Beamwidth 3dB	Deg	58.1 +/- 8	63.1 +/- 6.4	58.2 +/- 10.9	54.5 +/- 3.6	51.2 +/- 4.9
Elevation Beamwidth 3dB	Deg	7.9 +/- 0.5	7.2 +/- 0.5	6.8 +/- 0.7	6 +/- 0.3	5.4 +/- 0.3
Cross Polar Discrimination at Boresight	dB	10.7	15.4	14.1	12.6	15.3
Cross Polar Discrimination over Sector	dB	5.3	4.5	3.3	0.9	1
F/B at +/-30deg Total Power	dB	21.2	20.5	22	21.6	22.8
First Upper Side Lobe Suppression	dB	17.3	15.4	14.9	14.4	13.1
Electrical Downtilt	Deg	2 to 12				
Cross Polar Isolation	dB	26				
Interband Isolation	dB	26				
VSWR	-	1.5				
Passive Intermodulation (3rd Order, 2 x 43dBm)	dBc	-153				
Maximum Effective Power per Port	Watt	250				



**ELECTRICAL SPECIFICATIONS**

Electrical Specification Header		High Band Array (1710-2690 MHz) [Y2]				
Frequency Band	MHz	1710 - 1880	1850 - 1990	1920 - 2170	2300 - 2400	2490 - 2690
Gain Typical	dBi	16.4	16.2	17.2	16.9	17.2
Gain Over all Tilts	dBi	15.8 +/- 0.6	15.4 +/- 0.8	15.9 +/- 1.3	16.1 +/- 0.8	16.7 +/- 0.5
Azimuth Beamwidth 3dB	Deg	57.8 +/- 7.5	62.7 +/- 5.9	59.1 +/- 8.9	57 +/- 4.3	50.5 +/- 5.1
Elevation Beamwidth 3dB	Deg	7.2 +/- 0.4	6.6 +/- 0.5	6.2 +/- 0.6	5.5 +/- 0.4	5.1 +/- 0.3
Cross Polar Discrimination at Boresight	dB	12	15.5	14.9	15.5	18.8
Cross Polar Discrimination over Sector	dB	4.9	5	4.3	1.1	0.6
F/B at +/-30deg Total Power	dB	21.7	21.4	21.5	21.5	20.5
First Upper Side Lobe Suppression	dB	15.3	13.7	13.1	15.2	13.5
Electrical Downtilt	Deg	2 to 12				
Cross Polar Isolation	dB	26				
Interband Isolation	dB	26				
VSWR	-	1.5				
Passive Intermodulation (3rd Order, 2 x 43dBm)	dBc	-153				
Maximum Effective Power per Port	Watt	250				

**ELECTRICAL SPECIFICATIONS**

Electrical Specification Header		High Band Array (1710-2690 MHz) [Y3]				
Frequency Band	MHz	1710 - 1880	1850 - 1990	1920 - 2170	2300 - 2400	2490 - 2690
Gain Typical	dBi	16.4	16.4	17.7	17.4	17.5
Gain Over all Tilts	dBi	15.9 +/- 0.5	15.8 +/- 0.6	16.4 +/- 1.3	16.8 +/- 0.6	17 +/- 0.5
Azimuth Beamwidth 3dB	Deg	56.8 +/- 6.7	64.1 +/- 6.9	58.5 +/- 12.4	54.4 +/- 4.3	50.4 +/- 4.4
Elevation Beamwidth 3dB	Deg	7.8 +/- 0.6	7.2 +/- 0.6	6.8 +/- 0.8	6.1 +/- 0.4	5.6 +/- 0.3
Cross Polar Discrimination at Boresight	dB	11.1	17.1	14.8	13.9	17.1
Cross Polar Discrimination over Sector	dB	6.2	5.6	3.5	0.5	1.1
F/B at +/-30deg Total Power	dB	20.9	22.5	23.1	21.9	22.4
First Upper Side Lobe Suppression	dB	15.5	14.7	14.8	14.7	14.5
Electrical Downtilt	Deg	2 to 12				
Cross Polar Isolation	dB	26				
Interband Isolation	dB	26				
VSWR	-	1.5				
Passive Intermodulation (3rd Order, 2 x 43dBm)	dBc	-153				
Maximum Effective Power per Port	Watt	250				

**ELECTRICAL SPECIFICATIONS**

Electrical Specification Header		High Band Array (1710-2690 MHz) [Y4]				
Frequency Band	MHz	1710 - 1880	1850 - 1990	1920 - 2170	2300 - 2400	2490 - 2690
Gain Typical	dBi	16.4	16.3	17.3	17	17.4
Gain Over all Tilts	dBi	15.9 +/- 0.5	15.6 +/- 0.7	16.1 +/- 1.2	16.3 +/- 0.7	16.8 +/- 0.6
Azimuth Beamwidth 3dB	Deg	57 +/- 6.5	63.1 +/- 5.8	58.9 +/- 10.5	56.8 +/- 4.5	50 +/- 5.6
Elevation Beamwidth 3dB	Deg	7.3 +/- 0.4	6.7 +/- 0.4	6.3 +/- 0.7	5.5 +/- 0.4	5.1 +/- 0.3
Cross Polar Discrimination at Boresight	dB	11.7	16.8	15.4	16.8	20.5
Cross Polar Discrimination over Sector	dB	7	5.6	3.9	1	1.3
F/B at +/-30deg Total Power	dB	21.1	21.9	21.6	21.4	20.7
First Upper Side Lobe Suppression	dB	18	16.5	16.2	17.4	15
Electrical Downtilt	Deg	2 to 12				
Cross Polar Isolation	dB	26				
Interband Isolation	dB	26				
VSWR	-	1.5				
Passive Intermodulation (3rd Order, 2 x 43dBm)	dBc	-153				
Maximum Effective Power per Port	Watt	250				

**ELECTRICAL SPECIFICATIONS**

Impedance	Ohm	50
Polarization	Deg	±45°

**MECHANICAL SPECIFICATIONS**

Dimensions - H x W x D	mm (in)	2690 x 499 x 199 (105.9 x 19.6 x 7.8)
Weight (Antenna Only)	kg (lb)	47.5 (104.7)
Weight (Mounting Hardware only)	kg (lb)	4.5 (9.9)
Packing size- HxWxD	mm (in)	2970 x 575 x 275 (116.9 x 22.6 x 10.8)
Shipping Weight	kg (lb)	59.5 (131.2)
Connector type		12 x 4.3-10 female/bottom + 2 AISG connectors (1 male, 1 female)
Radome Material / Color		Fiber Glass / Light Grey RAL7035

**TESTING AND ENVIRONMENTAL**

Temperature Range	°C (°F)	-40 to 60 (-40 to 140 )
Lightning protection		Direct Ground
Survival/Rated Wind Velocity	km/h	200 (150 )
Wind Load @Rated Wind Front	N	1487
Wind Load @Rated Wind Side	N	578
Wind Load @Rated Wind Rear	N	1743

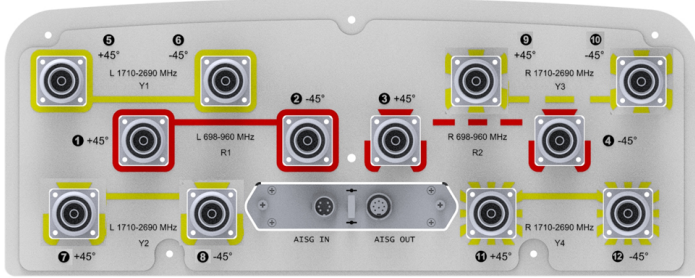
**ORDERING INFORMATION**

Order No.	Configuration	Mounting Hardware	Mounting Pipe Diameter	Shipping Weight
APXVBB4L26B_43-C-I20	Internal RET (ACU-I20-B6)	APM50-B1	50-110mm	59.5 kg

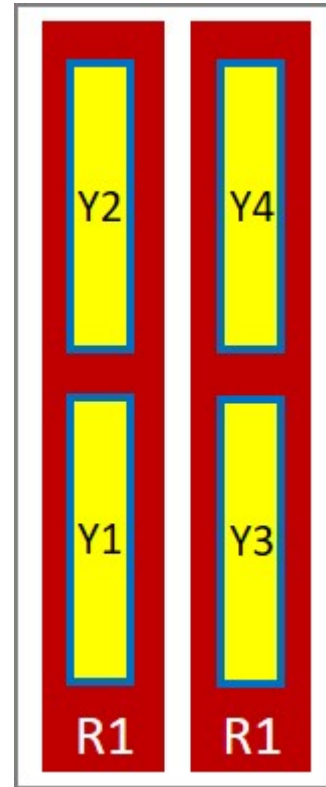
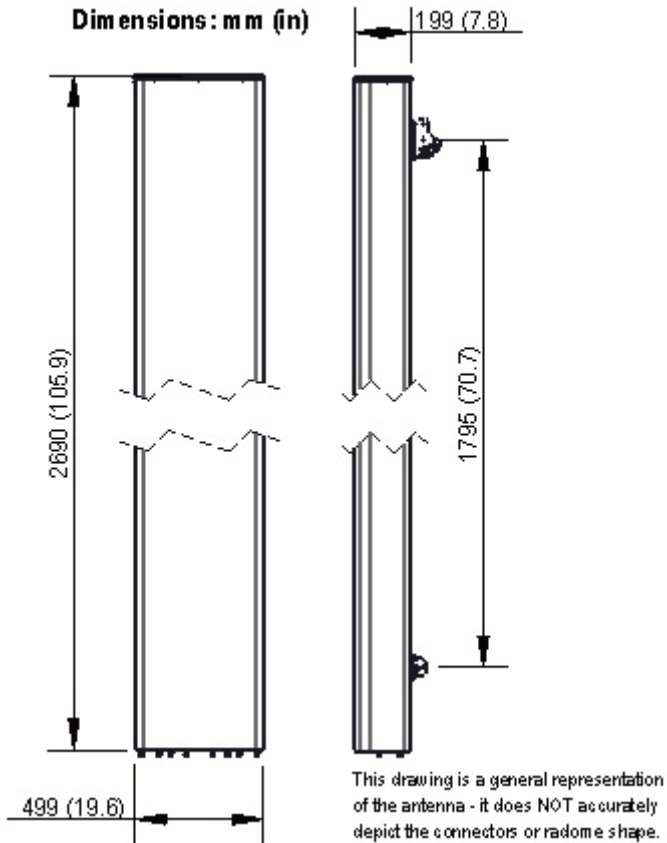


APXVBB4L26B\_43-C-I20

12-Ports, X-Pol, Panel Antenna, 2.6m, 2x 698-960/4x 1710-2690MHz, 65deg, Integrated RET



Dimensions: mm (in)



External Document Links  
[APM50\\_Series\\_Installation\\_Instructions](#)

Notes

- All electrical parameters are compliant with BASTA NGMN 11.1 requirements
- For additional mounting information please click "External Document Links".

• Radiating patterns: [Request pattern files](#)