



FEATURES / BENEFITS

- 4 ports / 2 cross pol systems in low band (690-960MHz)
- 4 ports / 2 cross pol systems in high band (1695-2690MHz)
- Supports 4x4 MIMO in low band and high band
- Integrated and field replaceable SRET
- ACU HW Version: HRLS170901H1.00
- Compliant with AISG V2.0 and 3GPP



Technical features

ELECTRICAL SPECIFICATIONS

Electrical Specification Header		LOW BAND ARRAY (690-960 MHz) [R1]		
Frequency Band	MHz	690 - 806	790 - 894	880 - 960
Gain Typical	dBi	14.2	15.3	15.3
Gain Over all Tilts	dBi	13.7 +/- 0.5	14.4 +/- 0.9	14.8 +/- 0.5
Azimuth Beamwidth 3dB	Deg	62.5 +/- 5	57 +/- 3.5	55 +/- 7.5
Elevation Beamwidth 3dB	Deg	15.6 +/- 1.5	14 +/- 1	12.5 +/- 1
Cross Polar Discrimination at Boresight	dB	21	23	21
Cross Polar Discrimination over Sector	dB	12	11	11
F/B at +/-30deg Total Power	dB	20	21	22
First Upper Side Lobe Suppression	dB	16	18	18
Electrical Downtilt	Deg	2 to 12		
Cross Polar Isolation	dB	25		
Interband Isolation	dB	25		
VSWR	-	1.5		
Passive Intermodulation (3rd Order, 2 x 43dBm)	dBc	-153		
Maximum Effective Power per Port	Watt	250		



ELECTRICAL SPECIFICATIONS

Electrical Specification Header		LOW BAND ARRAY (690-960 MHz) [R2]		
Frequency Band	MHz	690 - 806	790 - 894	880 - 960
Gain Typical	dBi	14.8	15.3	15.9
Gain Over all Tilts	dBi	13.8 +/- 1	14.4 +/- 0.9	14.9 +/- 1
Azimuth Beamwidth 3dB	Deg	62.3 +/- 5.6	56.3 +/- 3.5	53.6 +/- 5
Elevation Beamwidth 3dB	Deg	15 +/- 1.5	13.6 +/- 0.5	12.3 +/- 1
Cross Polar Discrimination at Boresight	dB	18	21	22
Cross Polar Discrimination over Sector	dB	10	10	9
F/B at +/-30deg Total Power	dB	20	22	23
First Upper Side Lobe Suppression	dB	14	18	17
Electrical Downtilt	Deg	2 to 12		
Cross Polar Isolation	dB	25		
Interband Isolation	dB	25		
VSWR	-	1.5		
Passive Intermodulation (3rd Order, 2 x 43dBm)	dBc	-153		
Maximum Effective Power per Port	Watt	250		

ELECTRICAL SPECIFICATIONS

Electrical Specification Header		High Band Array (1695-2690 MHz) [Y1]				
Frequency Band	MHz	1695 - 1880	1850 - 1990	1920 - 2170	2300 - 2400	2490 - 2690
Gain Typical	dBi	17.1	17	18.1	18.2	18.1
Gain Over all Tilts	dBi	16.1 +/- 1	16.5 +/- 0.5	17.1 +/- 1	17.2 +/- 1	17.1 +/- 1
Azimuth Beamwidth 3dB	Deg	69.7 +/- 6.7	65.3 +/- 6.5	61.2 +/- 6	53.7 +/- 5.2	59.1 +/- 6.5
Elevation Beamwidth 3dB	Deg	7.4 +/- 0.5	6.7 +/- 0.5	6.3 +/- 0.5	5.4 +/- 0.5	5 +/- 0.1
Cross Polar Discrimination at Boresight	dB	19.2	24	21	17	18
Cross Polar Discrimination over Sector	dB	4	6	3	3	1
F/B at +/-30deg Total Power	dB	23.2	25	25	25	25
First Upper Side Lobe Suppression	dB	19	20	19	14	17
Electrical Downtilt	Deg	2 to 12				
Cross Polar Isolation	dB	26				
Interband Isolation	dB	28				
VSWR	-	1.5				
Passive Intermodulation (3rd Order, 2 x 43dBm)	dBc	-153				
Maximum Effective Power per Port	Watt	250				



ELECTRICAL SPECIFICATIONS

Electrical Specification Header		High Band Array (1695-2690 MHz) [Y2]				
Frequency Band	MHz	1695 - 1880	1850 - 1990	1920 - 2170	2300 - 2400	2490 - 2690
Gain Typical	dBi	17.2	17.1	18	18.3	18.1
Gain Over all Tilts	dBi	16.2 +/- 1	16.6 +/- 0.5	17 +/- 1	17.3 +/- 1	17.1 +/- 1
Azimuth Beamwidth 3dB	Deg	69.7 +/- 6.5	64.7 +/- 6.9	60.4 +/- 6	52.8 +/- 4.5	58.5 +/- 5.8
Elevation Beamwidth 3dB	Deg	7.4 +/- 0.5	6.8 +/- 0.5	6.3 +/- 0.5	5.4 +/- 0.5	5 +/- 0.1
Cross Polar Discrimination at Boresight	dB	19	21.5	20	16	17
Cross Polar Discrimination over Sector	dB	5	7	4	3	1
F/B at +/-30deg Total Power	dB	23	26	26	25	25
First Upper Side Lobe Suppression	dB	18.7	20	17	16	19
Electrical Downtilt	Deg	2 to 12				
Cross Polar Isolation	dB	26				
Interband Isolation	dB	28				
VSWR	-	1.5				
Passive Intermodulation (3rd Order, 2 x 43dBm)	dBc	-153				
Maximum Effective Power per Port	Watt	250				

ELECTRICAL SPECIFICATIONS

Impedance	Ohm	50
Polarization	Deg	±45°

MECHANICAL SPECIFICATIONS

Dimensions - H x W x D	mm (in)	1498 x 468 x 168 (59 x 18.4 x 6.6)
Weight (Antenna Only)	kg (lb)	24.5 (54)
Weight (Mounting Hardware only)	kg (lb)	4.5 (9.9)
Packing size- HxWxD	mm (in)	1698 x 543 x 278 (66.9 x 21.4 x 10.9)
Shipping Weight	kg (lb)	32 (70.5)
Connector type		8 x 4.3-10 female/bottom + 2 AISG connectors (1 male, 1 female)
Radome Material / Color		Fiber Glass / Light Grey RAL7035

TESTING AND ENVIRONMENTAL

Temperature Range	°C (°F)	-40 to 60 (-40 to 140)
Lightning protection		Direct Ground
Survival/Rated Wind Velocity	km/h	200 (150)
Wind Load @Rated Wind Front	N	717
Wind Load @Rated Wind Side	N	179
Wind Load @Rated Wind Rear	N	912

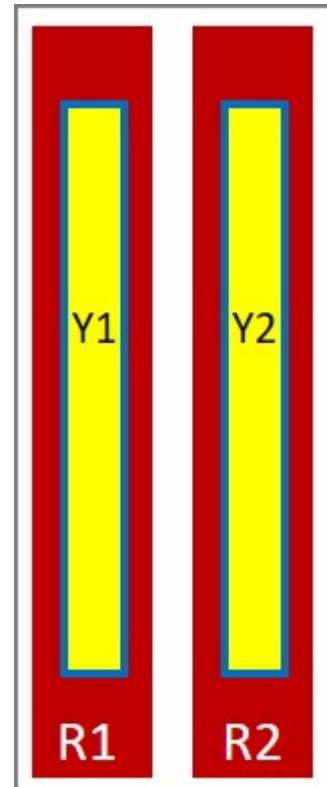
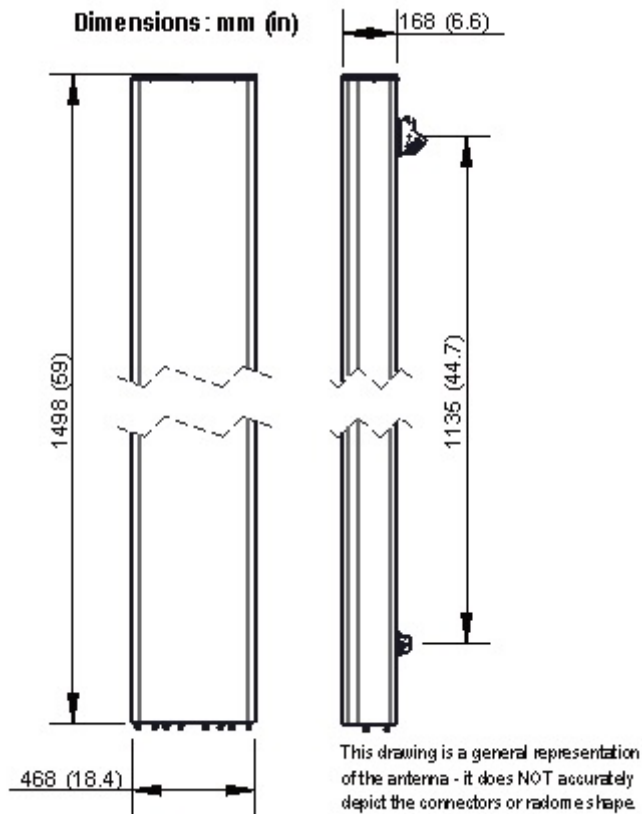
ORDERING INFORMATION

Order No.	Configuration	Mounting Hardware	Mounting pipe Diameter	Shipping Weight
APXVBLL15H_43-C-I20	Internal RET(ACU-I20-H12B)	APM50-H2	50-125mm	32.0 Kg



APXVBLL15H_43-C-I20

8-Ports, X-Pol, Panel Antenna, 1.5m, 2x 690-960/2x 1695-2690MHz, 65deg, Integrated RET



External Document Links
[APM50_Series_Installation_Instructions](#)

- Notes**
- All electrical parameters are compliant with BASTA NGMN 11.1 requirements.
 - For additional mounting information please click "External Document Links".
 - **Radiating patterns:** [Request pattern files](#)



APXVBLL15H_43-C-I20

8-Ports, X-Pol, Panel Antenna, 1.5m, 2x 690-960/2x 1695-2690MHz, 65deg, Integrated RET

