



APXVBLL18B2_43-C-I20

6-Ports, X-Pol, Panel Antenna, 1.8m, 1x 690-960/2x 1695-2690MHz, 65deg, Integrated RET

FEATURES / BENEFITS

- 2 ports / 1 cross pol system in low band (690-960 MHz)
- 4 ports / 2 cross pol systems in high band (1695-2690 MHz)
- Integrated and field replaceable SRET
- ACU HW Version -HRLS170901H1.00
- Compliant with AISG V2.0 and 3GPP



Technical features

ELECTRICAL SPECIFICATIONS

| Electrical Specification Header | | LOW BAND ARRAY (690-960 MHz) [R1] | | |
|--|------|-----------------------------------|--------------|--------------|
| Frequency Band | MHz | 690-806 | 790-894 | 880-960 |
| Gain Typical | dBi | 16.2 | 16.2 | 16.4 |
| Gain Over all Tilts | dBi | 15.7 +/- 0.5 | 16 +/- 0.2 | 16.1 +/- 0.3 |
| Azimuth Beamwidth 3dB | Deg | 67.7 +/- 2.1 | 64.9 +/- 1.9 | 62.1 +/- 1.5 |
| Elevation Beamwidth 3dB | Deg | 12 +/- 1.1 | 10.7 +/- 0.6 | 10 +/- 0.7 |
| Cross Polar Discrimination at Boresight | dB | 26.8 | 30.4 | 25.3 |
| Cross Polar Discrimination over Sector | dB | 10.2 | 8.9 | 7.3 |
| F/B at +/-30deg Total Power | dB | 24.9 | 25.1 | 24.6 |
| First Upper Side Lobe Suppression | dB | 18.3 | 19.4 | 17.6 |
| Electrical Downtilt | Deg | 2 to 12 | | |
| Cross Polar Isolation | dB | 28 | | |
| Interband Isolation | dB | 28 | | |
| VSWR | - | 1.5 | | |
| Passive Intermodulation (3rd Order, 2 x 43dBm) | dBc | -153 | | |
| Maximum Effective Power per Port | Watt | 250 | | |



ELECTRICAL SPECIFICATIONS

| Electrical Specification Header | | HIGH BAND ARRAY (1695-2690 MHZ) [Y1] | | | | |
|--|------|--------------------------------------|--------------|--------------|--------------|--------------|
| Frequency Band | MHz | 1695-1880 | 1850-1990 | 1920-2170 | 2300-2400 | 2490-2690 |
| Gain Typical | dBi | 18.6 | 19.1 | 19.3 | 19.1 | 19.5 |
| Gain Over all Tilts | dBi | 18.3 +/- 0.3 | 18.8 +/- 0.3 | 19 +/- 0.3 | 18.7 +/- 0.4 | 19 +/- 0.5 |
| Azimuth Beamwidth 3dB | Deg | 68.8 +/- 7.4 | 61.5 +/- 6 | 63.5 +/- 5.6 | 66.6 +/- 2.1 | 64.7 +/- 2.9 |
| Elevation Beamwidth 3dB | Deg | 5.3 +/- 0.3 | 5 +/- 0.3 | 4.7 +/- 0.4 | 4.1 +/- 0.2 | 3.9 +/- 0.2 |
| Cross Polar Discrimination at Boresight | dB | 25.4 | 24.8 | 24.2 | 27.5 | 28.9 |
| Cross Polar Discrimination over Sector | dB | 9.8 | 8.8 | 8.8 | 9.3 | 1.9 |
| F/B at +/-30deg Total Power | dB | 21.9 | 28 | 27 | 23.2 | 20.9 |
| First Upper Side Lobe Suppression | dB | 20.2 | 19.7 | 19.9 | 18.3 | 17.6 |
| Electrical Downtilt | Deg | 2 to 10 | | | | |
| Cross Polar Isolation | dB | 28 | | | | |
| Interband Isolation | dB | 28 | | | | |
| VSWR | - | 1.5 | | | | |
| Passive Intermodulation (3rd Order, 2 x 43dBm) | dBc | -153 | | | | |
| Maximum Effective Power per Port | Watt | 250 | | | | |

ELECTRICAL SPECIFICATIONS

| Electrical Specification Header | | HIGH BAND ARRAY (1695-2690 MHZ) [Y2] | | | | |
|--|------|--------------------------------------|--------------|--------------|--------------|--------------|
| Frequency Band | MHz | 1695-1880 | 1850-1990 | 1920-2170 | 2300-2400 | 2490-2690 |
| Gain Typical | dBi | 18.6 | 19.2 | 19.3 | 19.1 | 19.2 |
| Gain Over all Tilts | dBi | 18.2 +/- 0.4 | 18.7 +/- 0.5 | 18.9 +/- 0.4 | 18.6 +/- 0.5 | 18.7 +/- 0.5 |
| Azimuth Beamwidth 3dB | Deg | 68.8 +/- 7 | 60.9 +/- 5.7 | 62.9 +/- 5.5 | 66.1 +/- 2.1 | 64.7 +/- 2.6 |
| Elevation Beamwidth 3dB | Deg | 5.3 +/- 0.3 | 5 +/- 0.3 | 4.7 +/- 0.4 | 4.2 +/- 0.2 | 3.9 +/- 0.2 |
| Cross Polar Discrimination at Boresight | dB | 26.4 | 26.9 | 26.5 | 26.3 | 26.4 |
| Cross Polar Discrimination over Sector | dB | 8.8 | 7.3 | 8.1 | 8.7 | 2 |
| F/B at +/-30deg Total Power | dB | 21.5 | 26.4 | 26.5 | 23.1 | 20.5 |
| First Upper Side Lobe Suppression | dB | 20.8 | 19.1 | 19.2 | 15.8 | 15.7 |
| Electrical Downtilt | Deg | 2 to 10 | | | | |
| Cross Polar Isolation | dB | 28 | | | | |
| Interband Isolation | dB | 28 | | | | |
| VSWR | - | 1.5 | | | | |
| Passive Intermodulation (3rd Order, 2 x 43dBm) | dBc | -153 | | | | |
| Maximum Effective Power per Port | Watt | 250 | | | | |



APXVBLL18B2_43-C-I20

6-Ports, X-Pol, Panel Antenna, 1.8m, 1x 690-960/2x 1695-2690MHz, 65deg, Integrated RET

ELECTRICAL SPECIFICATIONS

| | | |
|--------------|-----|------|
| Impedance | Ohm | 50 |
| Polarization | Deg | ±45° |

MECHANICAL SPECIFICATIONS

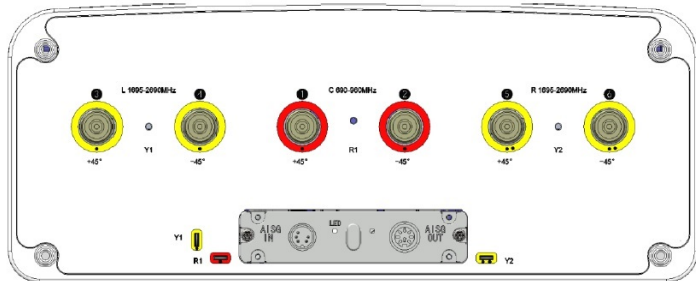
| | | |
|---------------------------------|---------|---|
| Dimensions - H x W x D | mm (in) | 1798 x 378 x 158 (70.8 x 14.9 x 6.2) |
| Weight (Antenna Only) | kg (lb) | 23.5 (51.8) |
| Weight (Mounting Hardware only) | kg (lb) | 4 (8.8) |
| Packing size- HxWxD | mm (in) | 1998 x 473 x 278 (78.7 x 18.6 x 10.9) |
| Shipping Weight | kg (lb) | 34 (75) |
| Connector type | | 6 x 4.3-10 female/bottom + 2 AISG connectors (1 male, 1 female) |
| Radome Material / Color | | Fiberglass / Light Gray |

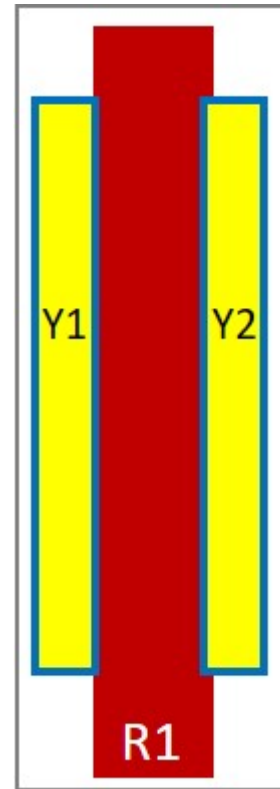
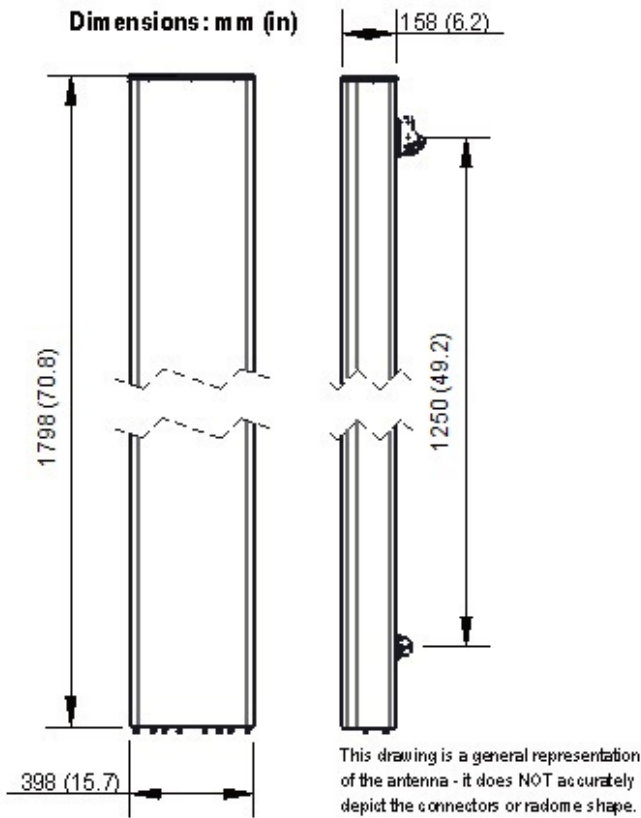
TESTING AND ENVIRONMENTAL

| | | |
|------------------------------|---------|-------------------------|
| Temperature Range | °C (°F) | -40 to 60 (-40 to 140) |
| Lightning protection | | DC Ground |
| Survival/Rated Wind Velocity | km/h | 200 (150) |
| Wind Load @Rated Wind Front | N | 625 |
| Wind Load @Rated Wind Side | N | 320 |
| Wind Load @Rated Wind Rear | N | 700 |

ORDERING INFORMATION

| Order No. | Configuration | Mounting Hardware | Mounting pipe Diameter | Shipping Weight |
|----------------------|-----------------------------|-------------------|------------------------|-----------------|
| APXVBLL18B2_43-C-I20 | Internal RET (ACU-I20-H12B) | APM50-H1 | 50-125 mm | 34.0 Kg |





External Document Links

[APM50_Series_Installation_Instructions](#)

Notes

- All electrical parameters are compliant with BASTA NGMN 11.1 requirements.
- For additional mounting information please click "External Document Links".
- **Radiating patterns:** [Request pattern files](#)