



FEATURES / BENEFITS

- 2 ports / 1 cross pol system in low band (690-960MHz)
- 4 ports / 2 cross pol systems in high band (1695-2690MHz)
- Integrated and field replaceable SRET
- ACU HW Version: HRLS170901H1.00
- Compliant with AISG V2.0 and 3GPP



Technical features

ELECTRICAL SPECIFICATIONS

Electrical Specification Header		LOW BAND ARRAY (690-960 MHz) [R1]		
Frequency Band	MHz	690 - 806	790 - 894	880 - 960
Gain Typical	dBi	17	17.4	17.7
Gain Over all Tilts	dBi	16.3 +/- 0.7	17 +/- 0.4	17.4 +/- 0.3
Azimuth Beamwidth 3dB	Deg	66.2 +/- 1.5	64.7 +/- 1	61.4 +/- 2.5
Elevation Beamwidth 3dB	Deg	8.5 +/- 0.5	7.7 +/- 0.5	7 +/- 0.4
Cross Polar Discrimination at Boresight	dB	28.6	27.4	25.4
Cross Polar Discrimination over Sector	dB	8.8	9.4	6.7
F/B at +/-30deg Total Power	dB	23.9	24.2	25.3
First Upper Side Lobe Suppression	dB	16.2	16.2	16.5
Electrical Downtilt	Deg	2 to 12		
Cross Polar Isolation	dB	28		
Interband Isolation	dB	28		
VSWR	-	1.5		
Passive Intermodulation (3rd Order, 2 x 43dBm)	dBc	-153		
Maximum Effective Power per Port	Watt	250		



ELECTRICAL SPECIFICATIONS

Electrical Specification Header		HIGH BAND ARRAY (1695-2690 MHZ) [Y1]				
Frequency Band	MHz	1695 - 1880	1850 - 1990	1920 - 2170	2300 - 2400	2490 - 2690
Gain Typical	dBi	17.4	18.1	18.2	18.1	18.5
Gain Over all Tilts	dBi	16.9 +/- 0.5	17.7 +/- 0.4	17.8 +/- 0.4	17.8 +/- 0.3	18.1 +/- 0.4
Azimuth Beamwidth 3dB	Deg	70.7 +/- 7.5	63.3 +/- 5.6	64.1 +/- 4.8	64.7 +/- 2.9	63.9 +/- 1.9
Elevation Beamwidth 3dB	Deg	5.3 +/- 0.3	5 +/- 0.3	4.7 +/- 0.4	4 +/- 0.2	3.8 +/- 0.2
Cross Polar Discrimination at Boresight	dB	23.9	24	21.3	25.7	28.2
Cross Polar Discrimination over Sector	dB	8.6	7.5	8.1	6.8	1.6
F/B at +/-30deg Total Power	dB	22	26.8	27	25.1	19.5
First Upper Side Lobe Suppression	dB	13.9	13.5	13.6	14.4	18.6
Electrical Downtilt	Deg	2 to 10				
Cross Polar Isolation	dB	28				
Interband Isolation	dB	28				
VSWR	-	1.5				
Passive Intermodulation (3rd Order, 2 x 43dBm)	dBc	-153				
Maximum Effective Power per Port	Watt	250				

ELECTRICAL SPECIFICATIONS

Electrical Specification Header		HIGH BAND ARRAY (1695-2690 MHZ) [Y2]				
Frequency Band	MHz	1695 - 1880	1850 - 1990	1920 - 2170	2300 - 2400	2490 - 2690
Gain Typical	dBi	17.5	18.2	18.3	18.3	18.7
Gain Over all Tilts	dBi	17 +/- 0.5	17.8 +/- 0.4	17.9 +/- 0.4	18 +/- 0.3	18.3 +/- 0.4
Azimuth Beamwidth 3dB	Deg	69.8 +/- 8.5	63 +/- 5.1	63.5 +/- 3.7	64.5 +/- 3.2	63.8 +/- 2.1
Elevation Beamwidth 3dB	Deg	5.3 +/- 0.4	5 +/- 0.4	4.7 +/- 0.5	4 +/- 0.2	3.8 +/- 0.2
Cross Polar Discrimination at Boresight	dB	25.9	24.9	24.5	20.4	23.9
Cross Polar Discrimination over Sector	dB	10.2	6.7	7.1	7.1	1.5
F/B at +/-30deg Total Power	dB	21.2	25.7	27.4	24.1	20
First Upper Side Lobe Suppression	dB	14.2	13.9	14.3	16.9	19.3
Electrical Downtilt	Deg	2 to 10				
Cross Polar Isolation	dB	28				
Interband Isolation	dB	28				
VSWR	-	1.5				
Passive Intermodulation (3rd Order, 2 x 43dBm);dBc;-153;	dBc	-153				
Maximum Effective Power per Port	Watt	250				



APXVBLL26B2_43-C-I20

6-Ports, X-Pol, Panel Antenna, 2.6m, 1x 690-960/2x 1695-2690MHz, 65deg, Integrated RET

ELECTRICAL SPECIFICATIONS

Impedance	Ohm	50
Polarization	Deg	±45°

MECHANICAL SPECIFICATIONS

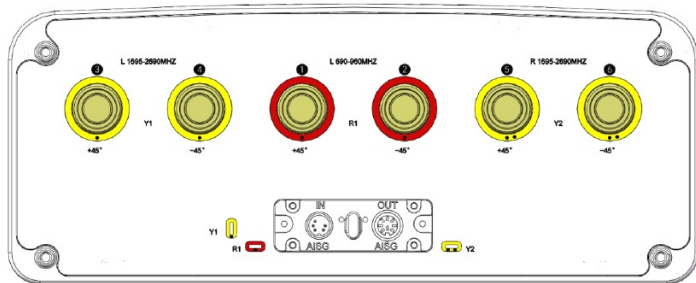
Dimensions - H x W x D	mm (in)	2690 x 380 x 156 (105.9 x 15 x 6.1)
Weight (Antenna Only)	kg (lb)	28.5 (62.8)
Weight (Mounting Hardware only)	kg (lb)	4 (8.8)
Packing size- HxWxD	mm (in)	2890 x 475 x 276 (113.8 x 18.7 x 10.9)
Shipping Weight	kg (lb)	36.3 (80)
Connector type		6 x 4.3-10 female/bottom + 2 AISG connectors (1 male, 1 female)
Radome Material / Color		Fiberglass / Light Gray

TESTING AND ENVIRONMENTAL

Temperature Range	°C (°F)	-40 to 60 (-40 to 140)
Lightning protection		DC Ground
Survival/Rated Wind Velocity	km/h	200 (150)
Wind Load @Rated Wind Front	N	870
Wind Load @Rated Wind Side	N	450
Wind Load @Rated Wind Rear	N	970

ORDERING INFORMATION

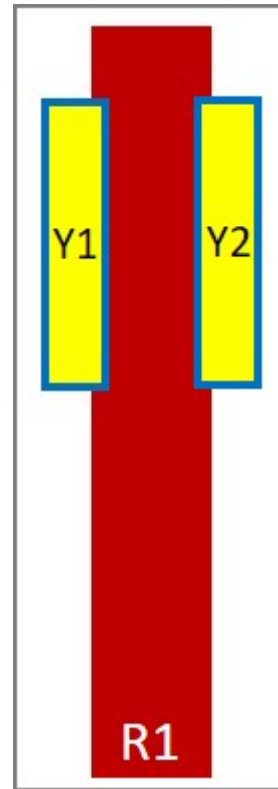
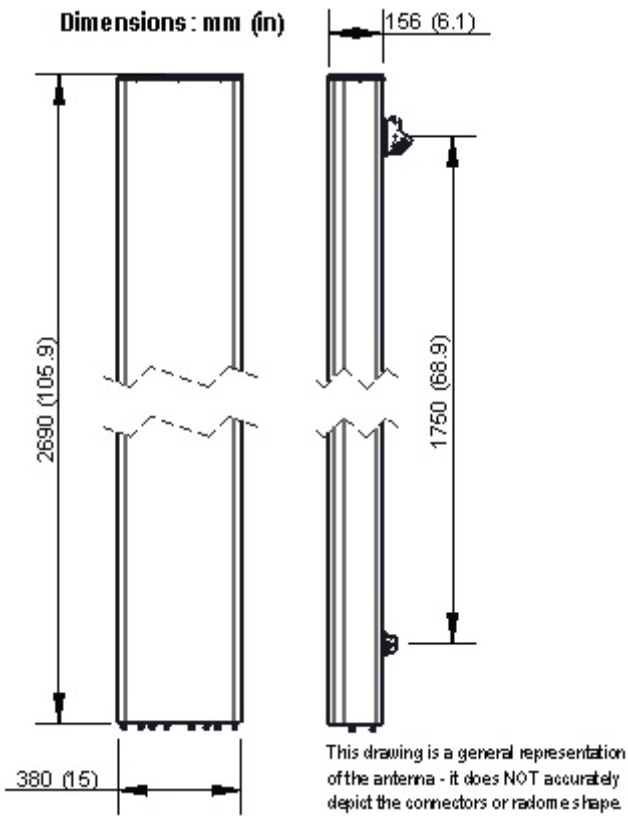
Order No.	Configuration	Mounting Hardware	Mounting pipe Diameter	Shipping Weight
APXVBLL26B2_43-C-I20	Internal RET (ACU-I20-HB)	APM50-H1	50-125 mm	36.3 Kg





APXVBLL26B2_43-C-I20

6-Ports, X-Pol, Panel Antenna, 2.6m, 1x 690-960/2x 1695-2690MHz, 65deg, Integrated RET



External Document Links

[APM50_Series_Installation_Instructions](#)

Notes

- All electrical parameters are compliant with BASTA NGMN 11.1 requirements.
- For additional mounting information please click "External Document Links".
- **Radiating patterns:** [Request pattern files](#)