



FEATURES / BENEFITS

- 2 ports / 1 cross pol system in low band (698-960MHz)
- 4 ports / 2 cross pol systems in high band (1710-2690MHz)
- Integrated and field replaceable SRET
- ACU HW Version: 2.02
- Compliant with AISG V2.0 and 3GPP



Technical features

ELECTRICAL SPECIFICATIONS

Electrical Specification Header		Low Band Array (698-960 MHz) [R1]		
Frequency Band	MHz	698-806	790-894	880-960
Gain Typical	dBi	16.8	18	17.7
Gain Over all Tilts	dBi	16.3 +/- 0.5	17 +/- 1	17.2 +/- 0.5
Azimuth Beamwidth 3dB	Deg	66.6 +/- 1.8	63.8 +/- 2.5	61.9 +/- 1
Elevation Beamwidth 3dB	Deg	8.7 +/- 0.5	7.7 +/- 1	7 +/- 0.1
Cross Polar Discrimination at Boresight	dB	27	26	22
Cross Polar Discrimination over Sector	dB	13	11	12
F/B at +/-30deg Total Power	dB	24	25.7	25
First Upper Side Lobe Suppression	dB	16	14	14
Electrical Downtilt	Deg	2 to 11		
Cross Polar Isolation	dB	25		
Interband Isolation	dB	30		
VSWR	-	1.5		
Passive Intermodulation (3rd Order, 2 x 43dBm)	dBc	-153		
Maximum Effective Power per Port	Watt	400		



ELECTRICAL SPECIFICATIONS

Electrical Specification Header		High Band Array (1710-2690 MHz) [Y1]				
Frequency Band	MHz	1710-1880	1850-1990	1920-2170	2300-2400	2490-2690
Gain Typical	dBi	17.4	17.4	18.1	17.3	17
Gain Over all Tilts	dBi	16.4 +/- 1	16.9 +/- 0.5	17.6 +/- 0.5	16.8 +/- 0.5	16.5 +/- 0.5
Azimuth Beamwidth 3dB	Deg	66.9 +/- 6	67 +/- 5	66.3 +/- 4.6	70.6 +/- 2	65.8 +/- 4.9
Elevation Beamwidth 3dB	Deg	6.5 +/- 0.5	6.2 +/- 0.5	5.8 +/- 0.5	5.1 +/- 0.1	4.8 +/- 0.5
Cross Polar Discrimination at Boresight	dB	21	24	19.9	14.6	15
Cross Polar Discrimination over Sector	dB	9	8	8	7.8	5
F/B at +/-30deg Total Power	dB	21	21	22	24.7	23
First Upper Side Lobe Suppression	dB	18.9	18	18	18.3	15
Electrical Downtilt	Deg	2 to 11				
Cross Polar Isolation	dB	25				
Interband Isolation	dB	30				
VSWR	-	1.5				
Passive Intermodulation (3rd Order, 2 x 43dBm)	dBc	-153				
Maximum Effective Power per Port	Watt	400				

ELECTRICAL SPECIFICATIONS

Electrical Specification Header		High Band Array (1710-2690 MHz) [Y2]				
Frequency Band	MHz	1710-1880	1850-1990	1920-2170	2300-2400	2490-2690
Gain Typical	dBi	17.3	17.4	18	17.1	16.8
Gain Over all Tilts	dBi	16.3 +/- 1	16.9 +/- 0.5	17.5 +/- 0.5	16.6 +/- 0.5	16.3 +/- 0.5
Azimuth Beamwidth 3dB	Deg	66.8 +/- 5.1	66.5 +/- 4	65.4 +/- 5	70.6 +/- 2.5	64.4 +/- 5.4
Elevation Beamwidth 3dB	Deg	6.5 +/- 0.5	6.1 +/- 0.5	5.7 +/- 0.5	5 +/- 0.5	4.7 +/- 0.5
Cross Polar Discrimination at Boresight	dB	18	19	19.3	14	15
Cross Polar Discrimination over Sector	dB	7	7	8	5	7
F/B at +/-30deg Total Power	dB	19	21	23	24	22
First Upper Side Lobe Suppression	dB	16	16	16.3	15	15
Electrical Downtilt	Deg	2 to 11				
Cross Polar Isolation	dB	25				
Interband Isolation	dB	30				
VSWR	-	1.5				
Passive Intermodulation (3rd Order, 2 x 43dBm)	dBc	-153				
Maximum Effective Power per Port	Watt	400				



ELECTRICAL SPECIFICATIONS

Impedance	Ohm	50
Polarization	Deg	±45°

MECHANICAL SPECIFICATIONS

Dimensions - H x W x D	mm (in)	2690 x 350 x 200 (105.9 x 13.8 x 7.9)
Weight (Antenna Only)	kg (lb)	31.5 (69.4)
Weight (Mounting Hardware only)	kg (lb)	4.5 (9.9)
Packing size- HxWxD	mm (in)	2970 x 425 x 275 (116.9 x 16.7 x 10.8)
Shipping Weight	kg (lb)	45 (99.2)
Connector type		6x 4.3-10 female/bottom + 2 AISG connectors (1 male, 1 female)
Radome Material / Color		Fiberglass / Light Grey RAL7035

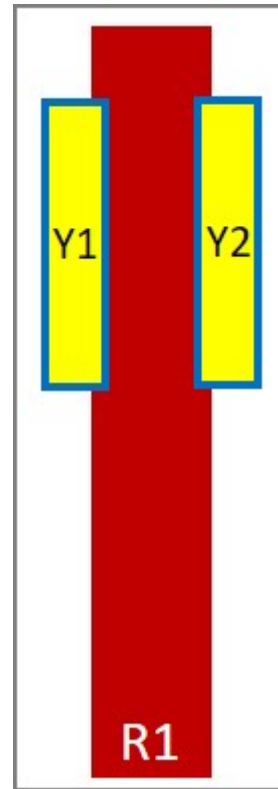
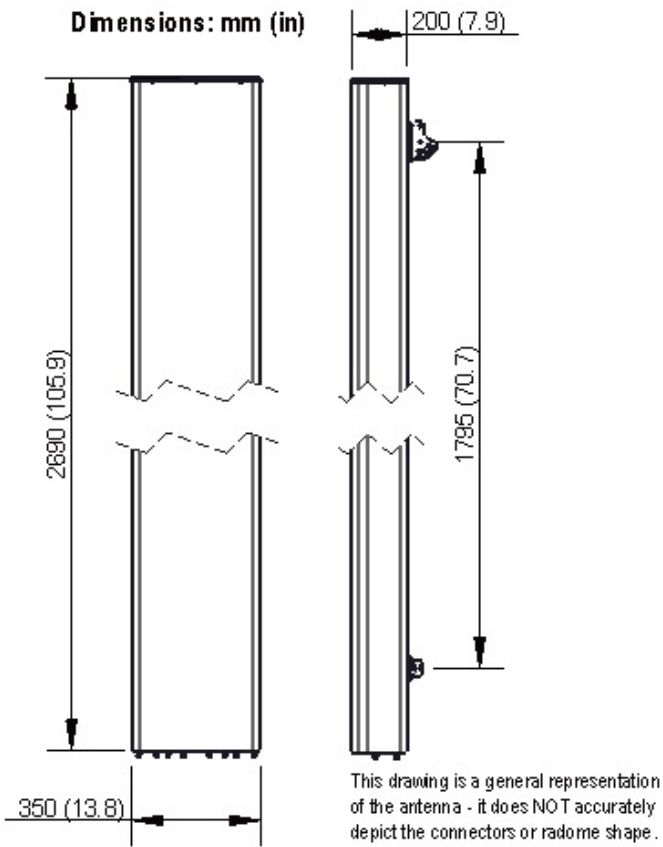
TESTING AND ENVIRONMENTAL

Temperature Range	°C (°F)	-40 to 60 (-40 to 140)
Lightning protection		DC Ground
Survival/Rated Wind Velocity	km/h	220 (150)
Wind Load @Rated Wind Front	N	1156
Wind Load @Rated Wind Side	N	566
Wind Load @Rated Wind Rear	N	1543

ORDERING INFORMATION

Order No.	Configuration	Mounting Hardware	Mounting pipe Diameter	Shipping Weight
APXVBLL26B_43-C-I20	Internal RET (ACU-I20-B3)	APM50-B1	50-110mm	45 kg





External Document Links

[APM50_Series_Installation_Instructions](#)

Notes

- All electrical parameters are compliant with BASTA NGMN 11.1 requirements.
- For additional mounting information please click "External Document Links".
- **Radiating patterns:** [Request pattern files](#)