



FEATURES / BENEFITS

- 4 ports / 2 cross pol system in high band (1710-2690MHz)
- Integrated and field replaceable SRET
- ACU HW Version -2.02
- Compliant with AISG V2.0 and 3GPP



Technical features

ELECTRICAL SPECIFICATIONS

Electrical Specification Header		High Band Array (1710-2690 MHz) [Y1]				
Frequency Band	MHz	1710-1880	1850-1990	1920-2170	2300-2400	2490-2690
Gain Typical	dBi	17.3	17.6	17.8	18.1	18.5
Gain Over all Tilts	dBi	16.9 +/- 0.4	17.3 +/- 0.3	17.5 +/- 0.3	17.7 +/- 0.4	18 +/- 0.5
Azimuth Beamwidth 3dB	Deg	69.2 +/- 3.5	70.5 +/- 4.1	70.6 +/- 2.7	67.7 +/- 1.9	61.9 +/- 4.3
Elevation Beamwidth 3dB	Deg	6.8 +/- 0.4	6.2 +/- 0.3	5.9 +/- 0.4	5.3 +/- 0.2	4.8 +/- 0.3
Cross Polar Discrimination at Boresight	dB	16.5	18.5	19.1	22.1	24
Cross Polar Discrimination over Sector	dB	9.3	11.1	11.9	12.4	9.8
F/B at +/-30deg Total Power	dB	22.4	22.8	23.1	23.3	21.4
First Upper Side Lobe Suppression	dB	18.6	18.7	18.7	18.2	15.9
Electrical Downtilt	Deg	2 to 12				
Cross Polar Isolation	dB	30				
Interband Isolation	dB	28				
VSWR	-	1.5				
Passive Intermodulation (3rd Order, 2 x 43dBm)	dBc	-153				
Maximum Effective Power per Port	Watt	250				



ELECTRICAL SPECIFICATIONS

Electrical Specification Header		High Band Array (1710-2690 MHz) [Y2]				
Frequency Band	MHz	1710-1880	1850-1990	1920-2170	2300-2400	2490-2690
Gain Typical	dBi	17.3	17.6	17.8	18.1	18.5
Gain Over all Tilts	dBi	16.9 +/- 0.4	17.3 +/- 0.3	17.5 +/- 0.3	17.7 +/- 0.4	18.1 +/- 0.4
Azimuth Beamwidth 3dB	Deg	69.1 +/- 2.8	70.2 +/- 3.7	70.4 +/- 2.5	67.9 +/- 1.6	61.3 +/- 4.1
Elevation Beamwidth 3dB	Deg	6.8 +/- 0.4	6.2 +/- 0.3	5.9 +/- 0.4	5.2 +/- 0.2	4.8 +/- 0.3
Cross Polar Discrimination at Boresight	dB	15.6	17	17.6	19.7	22.2
Cross Polar Discrimination over Sector	dB	10.5	11.2	12.1	12	10.5
F/B at +/-30deg Total Power	dB	22.9	22.6	22.7	23	20.2
First Upper Side Lobe Suppression	dB	18.4	18.8	19	19.4	17.1
Electrical Downtilt	Deg	2 to 12				
Cross Polar Isolation	dB	30				
Interband Isolation	dB	28				
VSWR	-	1.5				
Passive Intermodulation (3rd Order, 2 x 43dBm)	dBc	-153				
Maximum Effective Power per Port	Watt	250				

ELECTRICAL SPECIFICATIONS

Impedance	Ohm	50
Polarization	Deg	±45°

MECHANICAL SPECIFICATIONS

Dimensions - H x W x D	mm (in)	1498 x 320 x 123 (59 x 12.6 x 4.8)
Weight (Antenna Only)	kg (lb)	15.3 (33.7)
Weight (Mounting Hardware only)	kg (lb)	4.5 (9.9)
Packing size- HxWxD	mm (in)	1760 x 410 x 250 (69.3 x 16.1 x 9.8)
Shipping Weight	kg (lb)	22.7 (50)
Connector type		4 x 4.3-10 female/bottom + 2 AISG connectors (1 male, 1 female)
Radome Material / Color		Fiberglass / Light Grey RAL7035

TESTING AND ENVIRONMENTAL

Temperature Range	°C (°F)	-40 to 60 (-40 to 140)
Lightning protection		Direct Ground
Survival/Rated Wind Velocity	km/h	200 (150)
Wind Load @Rated Wind Front	N	588
Wind Load @Rated Wind Side	N	226
Wind Load @Rated Wind Rear	N	700

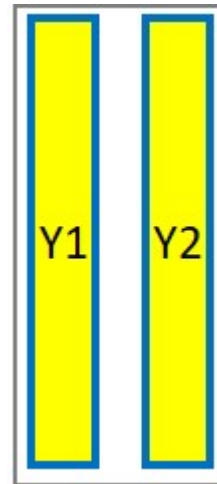
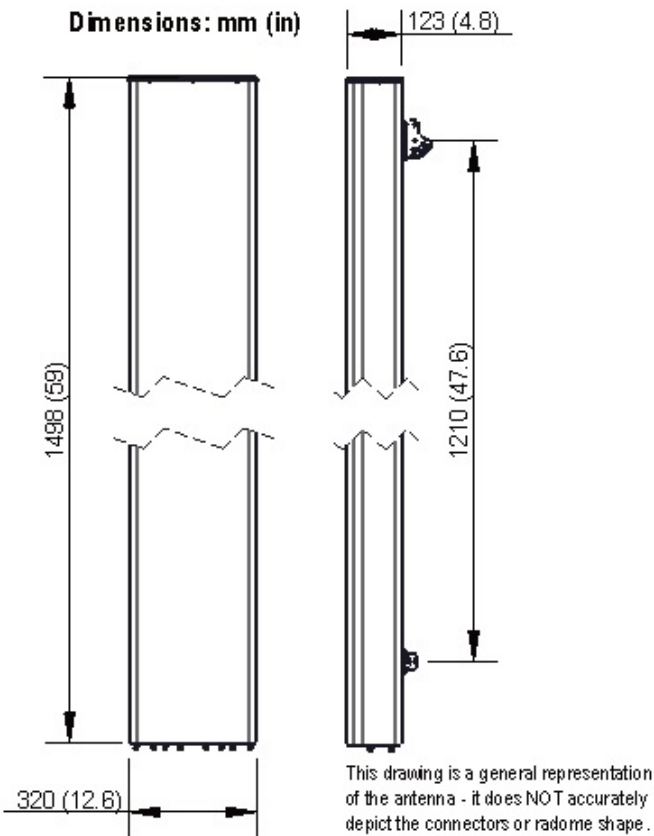
ORDERING INFORMATION

Order No.	Configuration	Mounting Hardware	Mounting pipe Diameter	Shipping Weight
APXVLL15B 43-C-I20	Internal RET (ACU-I20-B2)	APM50-B1	50-110 mm	24.4 Kg



APXVLL15B_43-C-I20

4-Ports, X-Pol, Panel Antenna, 1.5m, 2x 1710-2690MHz, 65deg, Integrated RET



External Document Links

[APM50_Series_Installation_Instructions](#)

Notes

- All electrical parameters are compliant with BASTA NGMN 11.1 requirements.
- For additional mounting information please click "External Document Links".
- **Radiating patterns:** [Request pattern files](#)