



This antenna is an excellent choice for 3G, PCS and LTE1800 where high gain is required.

FEATURES / BENEFITS

- High gain performance — improves coverage
- Variable electrical downtilt — provides enhanced precision in controlling intercell interference. The tilt is infield adjustable 0-10 deg.
- High suppression of upper sidelobes (typically 18 dB) — reduces cell interference
- Optional remote tilt — can be retrofitted
- Low profile — decreases visual impact
- Quick and easy to install — saves time and money



Technical features

ELECTRICAL SPECIFICATIONS

Frequency Range	MHz	1710-1880	1850-1990	1920-2170
Gain	dBi (dBd)	17.3 (15.1)	17.5 (15.4)	18.1 (16.0)
Horizontal Beamwidth	deg	64	63	60
Vertical Beamwidth	deg	7.7	7.3	6.6
Electrical Downtilt Range	deg	0-10		
1st Upper Sidelobe Suppression	dB	>16 (typically 18)		
Front-To-Back Ratio	dB	Typically 28		
Polarization		Dual pol +/-45°		
VSWR		< 1.5:1		
Isolation between Ports	dB	> 30		
3rd Order IMP @ 2 x 43 dBm	dBc	> 150		
7th Order IMP @ 2x38 dBm	dBc	>170		
Impedance	Ohms	50		
Maximum Power Input	W	300		
Beamwidth Approximate	deg	65		
Frequency/Operating Band		3G/UMTS (Single, Broad, Dual and Triple-Band) AWS Band (1710-1755, 2110-2155 MHz)		
Antenna Type		Dual Polarized		
Electrical Down Tilt Option		Variable		



MECHANICAL SPECIFICATIONS

Lightning Protection		Direct Ground
Connector Type/Location		(2) 7-16 Long Neck Female/Bottom
Dimensions - HxWxD	mm (in)	1360 x 163 x 105 (53.5 x 6.4 x 4.3)
Weight w/o Mtg Hardware	kg (lb)	7 (15.4)
Survival/Rated Wind Speed	km/h (mph)	240 (150) / 150 (93.2)
Applied Wind Load Standard		DIN 1055-4
Wind Load @ Rated Wind, Front	N (lbf)	191 (43)
Wind Load @ Rated Wind, Max.	N (lbf)	268 (60)
Wind Load @ Rated Wind, Side	N (lbf)	122 (27)
Wind Load @ Rated Wind, Rear	N (lbf)	204 (46)
Mount Type		Downtilt
Height (Approximate)	ft.	4.5

TESTING AND ENVIRONMENTAL

Operation temperature	°C (°F)	-40 to 60 (-40 to 140)
-----------------------	---------	-------------------------

MATERIAL

Radome Material/Color		UPVC/Light Grey RAL7035
Mounting Hardware Material		Included (3GS-B)
Radiating Element Material		Zinc
Reflector Material		Aluminum

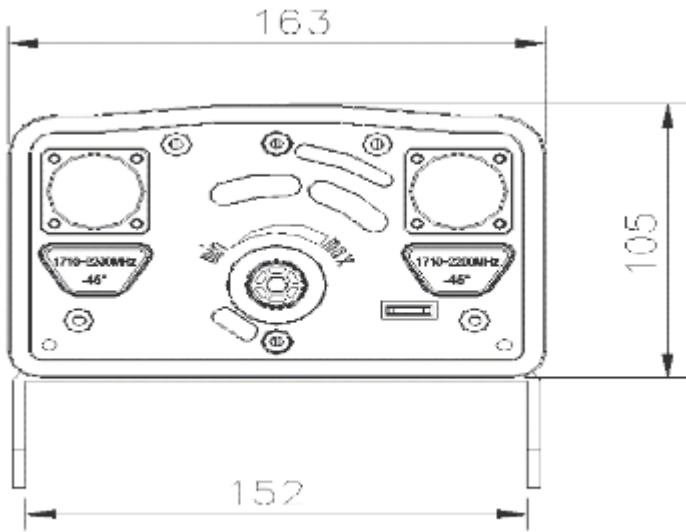
ORDERING INFORMATION

Shipping Weight	kg (lb)	11.4 (25.4)
Packing Dimensions, HxWxD	mm (in)	1460 x 250 x 210 (57 x 9.8 x 8.2)
Mounting Hardware		Included (3GS-B)
Mounting Pipe Diameter	mm (in)	50 - 115 (1.95 - 4.5)
Mounting Hardware Weight	kg (lb)	2.5 (5.5)



APXVR13S-C

Single Band, Dual Polarized Antenna, 1710-2170, 65deg, 18dBi, 1.3m, VET, 0-10deg



Antenna End Plate



APXVR13S-C

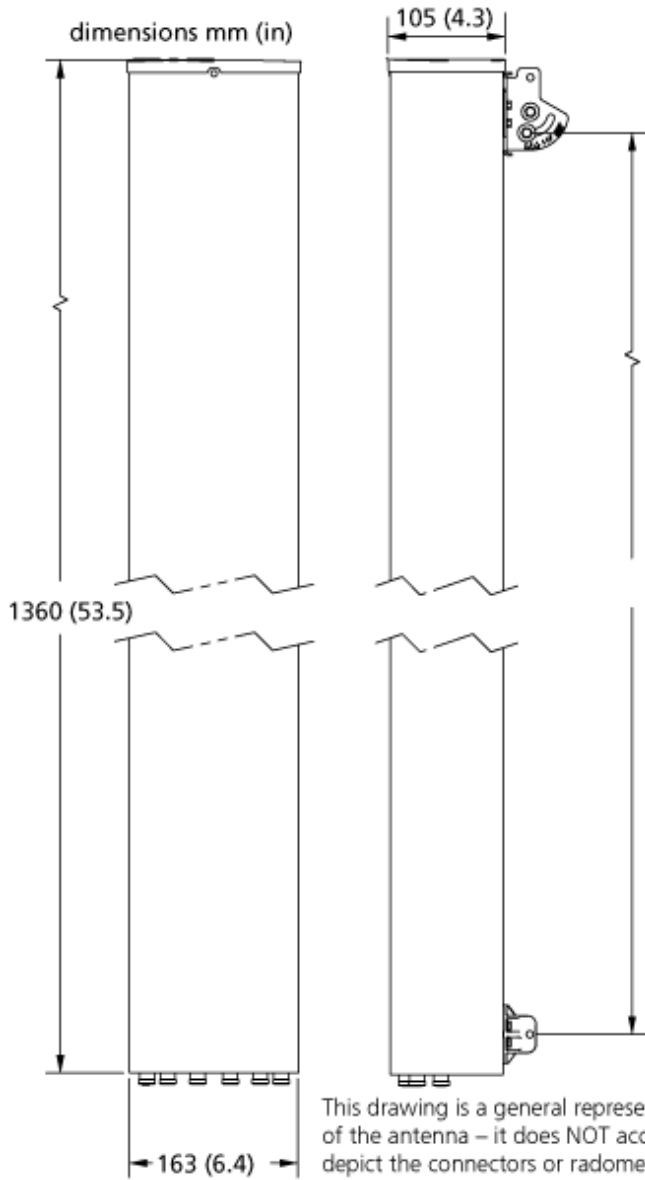
Single Band, Dual Polarized Antenna, 1710-2170, 65deg, 18dBi, 1.3m, VET, 0-10deg





APXVR13S-C

Single Band, Dual Polarized Antenna, 1710-2170, 65deg, 18dBi, 1.3m, VET, 0-10deg



Antenna Drawing

[External Document Links](#)
[3GS-B Installation Instructions](#)

- Notes**
- The mounting bracket included has a mechanical downtilt range from 0 to 10 degrees.