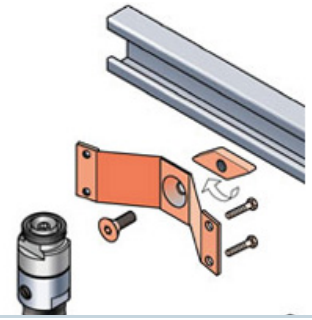




Connector grounding kit for UCF/LCFS114 connectors

**FEATURES / BENEFITS**

These connector grounding kit provide direct connector grounding for instance an anchor bar. The assembly or disassembly is quick and easy while providing mechanical fixture and reliable ground path at the same time. All components are made of Stainless steel.



**Technical features**

**STRUCTURE**

Product Line		Coaxial Cable Accessories
Type of Grounding Kit		Connector grounding kit
Transmission Line Type		LCF114, LCFS114, UCF114
Cable Type		Coaxial Foam Dielectric
Cable Size		1-1/4"
Number of Cable / Waveguide Runs		1
Material		Stainless Steel

**TEMPERATURE SPECIFICATIONS**

Operation Temperature	°C (°F)	-50 to 85 (-58 to 185 )
Storage Temperature	°C (°F)	-50 to 85 (-58 to 185 )

**PACKAGING INFORMATION**

Package Quantity		1
------------------	--	---

[External Document Links](#)

[Notes](#)