



Outdoor signal cable for AISG connection between the Antenna Control Unit (RET) and the Remote Radio Unit (RRU). The cable is equipped with an AISG standard connector and DB9 connector.

**FEATURES / BENEFITS**

- Easy and quick installation
- UV rated for outdoor use
- Tested in accordance to international standards
- Designed specifically for RFS RET antennas and any RRU requiring DB9 connectors
- Connector A: 8-pin DIN Female IEC60130-9
- Connector B: 9-pin D-Sub Male (DB9)



**Technical features**

**ELECTRICAL SPECIFICATIONS**

Electrical Specification Header		General Specification
Protocol	-	AISG 2.0
Product Type	-	AISG Cable DB9
AISG Connector	-	AISG DIN Female/DB9 Male
Dielectric Withstanding Voltage	-	EIA 364 TP-20 Method A
Insulation Resistance	-	EIA 364 TP-21
Contact Resistance	-	EIA 364 TP-06
Unmating Force	-	IEC 60512 Test 13b
Mating and Unmating Force	-	EIA 364 TP-13

**ELECTRICAL SPECIFICATIONS**

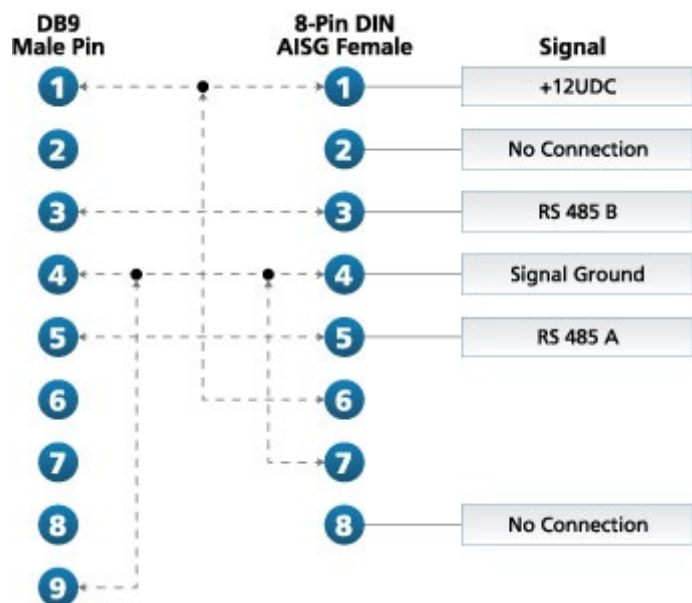
Electrical Specification Header		Environmental Specification
Operating Temperature	C Deg (F Deg)	-40 to 70 (-40 to 158)
Cold Test	-	IEC 60068-2-1
Dry Heat Test	-	IEC 60068-2-2
Temperature Change Test	-	IEC 60068-2-14
IP5X(Dust Protection Test)	-	IEC 60529
IPX7(Water Protection Test)	-	IEC 60529
Thermal Shock	-	EIA 364 TP-32
Salt Spray Test	-	ASTM B117



**ELECTRICAL SPECIFICATIONS**

Electrical Specification Header		Length and Weight	
Model Name	Unit	Length (m)	Net Weight (kg)
CW002-7 HUA	PC	0.2	0.10
CW003-7 HUA	PC	0.3	0.11
CW005-7 HUA	PC	0.5	0.12
CW010-7 HUA	PC	1.0	0.15
CW020-7 HUA	PC	2.0	0.23
CW030-7 HUA	PC	3.0	0.30
CW040-7 HUA	PC	4.0	0.38
CW050-7 HUA	PC	5.0	0.45
CW060-7 HUA	PC	6.0	0.53
CW080-7 HUA	PC	8.0	0.68
CW100-7 HUA	PC	10.0	0.83
CW120-7 HUA	PC	12.0	0.98
CW150-7 HUA	PC	15.0	1.20
CW200-7 HUA	PC	20.0	1.58
CW220-7 HUA	PC	22.0	1.75
CW250-7 HUA	PC	25.0	1.95
CW300-7 HUA	PC	30.0	2.34
CW450-7 HUA	PC	45.0	3.47
CW500-7 HUA	PC	50.0	3.85
CW700-7 HUA	PC	70.0	5.36
CW1000-7 HUA	PC	100.0	7.63
CW1500-7 HUA	PC	150.0	11.41

**Connection Diagram**



External Document Links

Notes

- Radiating patterns: [Request pattern files](#)



PRODUCT DATASHEET

**CWxxx-7 HUA Series**

AISG System Cable DIN/DB9, 0.2-150m

