



Designed for: Marine environments, off-shore locations, industrial and highly corrosive locations, volcanic areas, tropical climates mountaintops with severe wind, ice and snow conditions.
Available in frequencies ranging from 3.6 to 26.5 GHz and sizes 0.6m (2ft) to 3.7m (12ft) as single or dual polarized models.

FEATURES / BENEFITS

- Reflectors and shrouds painted in- and outside with 2-component epoxy paint
- Feeds painted with a 2-component epoxy paint
- Mounting hardware and attachment hardware in corrosion-resistant ISO 3506 A4 (SAE 316L) steel stabilized with molybdenum
- Steel mounting with a extended galvanic layer
- Screws, connectors apply additional silicon sealant during installation
- A wind kit supports winds up to 252 km/h (155 mph)
- Wind kits are factory installed for 1.8m (6 ft) and larger antennas
- A single-piece reflector ensures best protection to antenna surfaces
- A flexible radome that is designed to avoid snow accumulation for antennas 1.2 m (4 ft) and larger



Antenna

Technical features

GENERAL SPECIFICATIONS

| | | |
|----------------------|--|-------------------------|
| Product Type | | Point to point antennas |
| Profile | | HarshAreasLine |
| Performance | | High |
| Polarization | | Single |
| Antenna Input | | CPR187G |
| Reflector | | 1-part |
| Radome | | flexible |
| Antenna color | | White RAL 9010 |
| Swaybar | | 1: (3.0 m x Ø60 mm) |

ELECTRICAL SPECIFICATIONS

| | | |
|------------------------------|-----------|---------------------------------|
| Frequency | GHz | 3.6 - 4.2 |
| 3dB beamwidth | degrees | 1.8 |
| Low Band Gain | dBi | 38.4 |
| Mid Band Gain | dBi | 39.1 |
| High Band Gain | dBi | 39.7 |
| F/B Ratio | dB | 62 |
| XPD | dB | 30 |
| Max VSWR / R L | VSWR / dB | 1.06 (30.7) |
| Regulatory Compliance | | ETSI EN 302217 Range 1, class 2 |



MECHANICAL SPECIFICATIONS

| | | |
|--------------------------------|------------|-----------|
| Diameter | ft (m) | 10 (3) |
| Elevation Adjustment | degrees | ± 5 |
| Azimuth Adjustment | degrees | ± 5 |
| Polarization Adjustment | degrees | ± 5 |
| Mounting Pipe Diameter minimum | mm (in) | 114 (4.5) |
| Mounting Pipe Diameter maximum | mm (in) | 114 (4.5) |
| Approximate Weight | kg (lb) | 290 (638) |
| Survival Windspeed | km/h (mph) | 252 (155) |
| Operational Windspeed | km/h (mph) | 190 (118) |

STRUCTURE

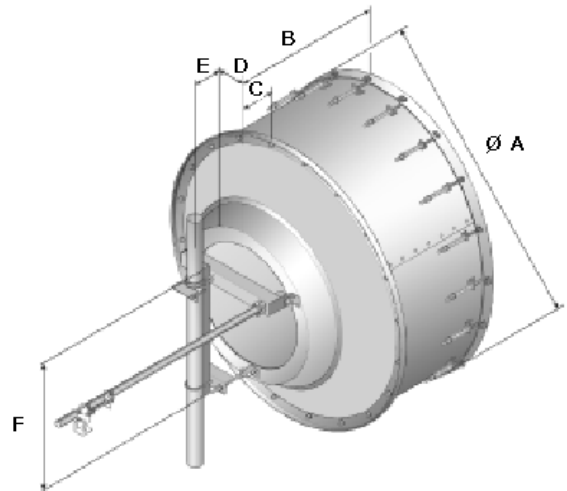
| | |
|-----------------|-------------------|
| Radome Material | PVC coated fabric |
|-----------------|-------------------|

FURTHER ACCESSORIES

| | |
|---------------------|---|
| optional Swaybar | 1: SMA-SK-60-3000A (3.0 m x Ø60 mm) |
| Further Accessories | SMA-SKO-UNIVERSAL-L : Universal sway bar fixation kit |

MOUNT OUTLINE

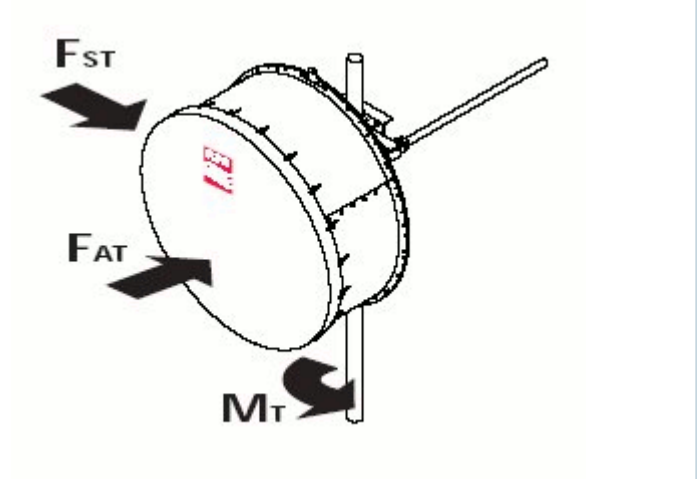
| | | |
|-----------------------------|---------|--------------|
| Dimension_A | mm (in) | 3220 (126.8) |
| Dimension_B | mm (in) | 1840 (72.4) |
| Dimension_C | mm (in) | 550 (21.7) |
| Dim_D- 114mm(4.5_in)Pipe | mm (in) | 190 (7.5) |
| Dimension_E | mm (in) | 370 (14.6) |
| Dimension_F | mm (in) | 1440 (56.9) |





WINDLOAD

| | | |
|--|------------|---------------|
| Fa Axial force max. @ survival wind speed | N (lb) | 30266 (6781) |
| M Torque maximum @ survival wind speed Nm (ft lb) | Nm (lb ft) | 16000 (11875) |
| Fs Side force max. @ survival wind speed | N (lb) | 14984 (3356) |



External Document Links

- [Complete Antenna installation](#)
- [RPE \(IQ-Link format\)](#)
- [RPE \(PDF format\)](#)
- [RPE \(Pathloss format\)](#)

Notes