



DBUX10-W60W103ACC

Dual Band 10ft (3.0m)Antenna, Ultra High Performance, Low band Wide 6GHz Dual Polarized, High Band Wide 11GHz Dual Polarized

Dual band large size antennas are the ideal solution for longhaul application when ultrahigh capacity cannot be achieved by a single frequency operation. These antennas enable multiple signal propagating in two different frequency bands by one set of feed and reflector. In addition to providing the benefits including flexible frequency plan and diversity, this solution reduces tower load, tower rental space, transportation cost and installation time.

RFS offers these antennas in the most popular frequency combinations such as 6GHz and 11GHz, with the sizes from 6ft (1.8m) to 12ft (3.7m).

FEATURES / BENEFITS

- One antenna covering two most popular frequency bands 6GHz and 11GHz
- Available antenna sizes include 6ft (1.8m), 8ft (2.4m), 10ft (3.0m) and 12ft (3.7m)
- Maximize link capacity by supporting dual polarization in each band
- High XPD provides better support to XPIC and CCDP
- Achieve frequency diversity (FD) in one antenna



Technical features

GENERAL SPECIFICATIONS

Product Type		Point to point antennas	
Profile		PrimeLine	
Performance		Ultra High	
Antenna Input		CPR137G	CPR90G
Reflector		1-part	
Radome		flexible	
Antenna color		White RAL 9010	
Swaybar		1: (3.0 m x Ø60 mm)	
Polarization	-	dual	dual

ELECTRICAL SPECIFICATIONS

Frequency	GHz	5.925-7.125	10.3-11.7
Regulatory Compliance	-	ETSI EN 302217 R2 C3 FCC 101A/74A Anatel Cl2 ACMA FX03-6B/6.7B IC SRSP 305.9A/306.4A	ETSI EN 302217 R7 C3 FCC 101A Anatel Cl2 ACMA FX03-10B/11A IC SRSP 310.5 / 310.7A / 310.7B
Low band gain	dBi	42.6	47.4
Mid band gain	dBi	43.5	47.9
High band gain	dBi	44.1	48.3
F/B ratio	dB	74	77
Max VSWR / RL	-(dB)	1.22 (20)	1.22 (20)
IPI	dB	45	45
3dB beamwidth	degrees	1	0.7
XPD	dB	36	36
Low - High Frequency Band discrimination	dB	40	



DBUX10-W60W103ACC

Dual Band 10ft (3.0m)Antenna, Ultra High Performance, Low band Wide 6GHz Dual Polarized, High Band Wide 11GHz Dual Polarized

MECHANICAL SPECIFICATIONS

Diameter	ft (m)	10 (3)
Elevation Adjustment	degrees	±5
Azimuth Adjustment	degrees	±5
Polarization Adjustment	degrees	±5
Mounting Pipe Diameter minimum	mm (in)	114 (4.5)
Mounting Pipe Diameter maximum	mm (in)	114 (4.5)
Approximate Weight	kg (lb)	290 (639)
Survival Windspeed	km/h (mph)	200 (125)
Operational Windspeed	km/h (mph)	190 (118)

STRUCTURE

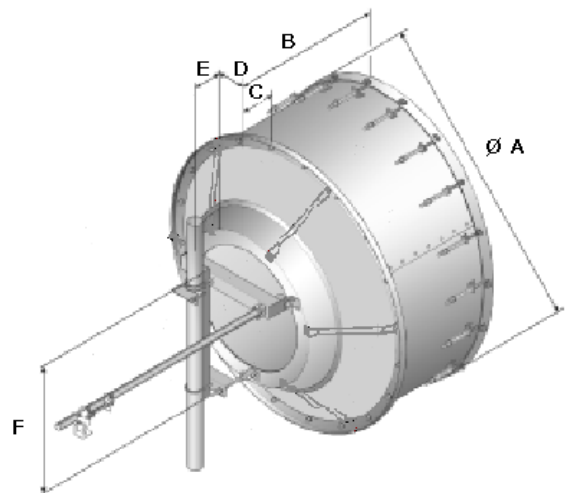
Radome Material	PVC coated fabric
-----------------	-------------------

FURTHER ACCESSORIES

optional Swaybar	1: SMA-SK-60-3000A (3.0 m x Ø60 mm)
Further Accessories	SMA-WK-10 : Wind Kit SMA-SKO-UNIVERSAL-L : Universal sway bar fixation kit

MOUNTOUTLINE

Dimension_A	mm (in)	3220 (126.8)
Dimension_B	mm (in)	1640 (64.6)
Dimension_C	mm (in)	550 (21.7)
Dim_D- 114mm(4.5_in)Pipe	mm (in)	190 (7.5)
Dimension_E	mm (in)	370 (14.6)
Dimension_F	mm (in)	1440 (56.7)



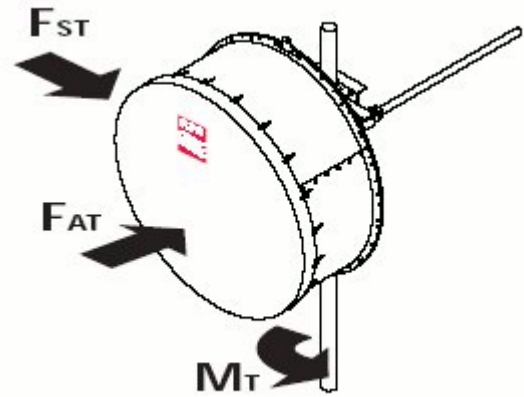


DBUX10-W60W103ACC

Dual Band 10ft (3.0m)Antenna, Ultra High Performance, Low band Wide 6GHz Dual Polarized, High Band Wide 11GHz Dual Polarized

WINDLOAD

F_s Side force max. @ survival wind speed	N (lb)	9590 (2148)
F_a Axial force max. @ survival wind speed	N (lb)	19370 (4340)
M Torque maximum @ survival wind speed Nm (ft lb)	Nm (lb ft)	10240 (7600)



External Document Links

- [RPE low band \(IQ-link format\)](#)
- [RPE low band \(PDF-format\)](#)
- [RPE low band \(PATHLOSS-format\)](#)
- [RPE upper band \(IQ-link format\)](#)
- [RPE upper band \(PATHLOSS-format\)](#)
- [RPE upper band \(PDF-format\)](#)

Notes