



### DBUX12-W60W103ACCSQZE

Dual Band 12ft (3.7m)Antenna, Ultra High Performance, Low band Wide 6GHz Dual Polarized, High Band Wide 11GHz Dual Polarized, High Wind High Ice Configuration

Dual band large size antennas are the ideal solution for longhaul application when ultrahigh capacity cannot be achieved by a single frequency operation. These antennas enable multiple signal propagating in two different frequency bands by one set of feed and reflector. In addition to providing the benefits including flexible frequency plan and diversity, this solution reduces tower load, tower rental space, transportation cost and installation time.

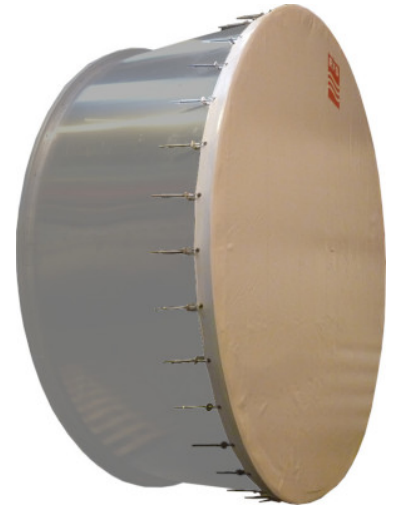
RFS offers these antennas in the most popular frequency combinations such as 6GHz and 11GHz, with the sizes from 6ft (1.8m) to 12ft (3.7m).

#### FEATURES / BENEFITS

- One antenna covering two most popular frequency bands 6GHz and 11GHz
- Available antenna sizes include 6ft (1.8m), 8ft (2.4m), 10ft (3.0m) and 12ft (3.7m)
- Maximize link capacity by supporting dual polarization in each band
- High XPD provides better support to XPIC and CCDP
- Achieve frequency diversity (FD) in one antenna

The design of the High Wind High Ice configurations features :

- A reinforced mounting structure with 3 sway bars strategically located
- A PVC coated radome optimized for areas with high wind and snow appearance
- 250km/h (155mph) survival wind speed with 25mm (1 inch) of radial ice, or
- 225km/h (140mph) survival wind speed with 55mm (2 inches) of radial ice



## Technical features

### GENERAL SPECIFICATIONS

|               |   |                                |        |
|---------------|---|--------------------------------|--------|
| Product Type  |   | Point to point antennas        |        |
| Profile       |   | PrimeLine                      |        |
| Performance   |   | Ultra High, High XPD           |        |
| Antenna Input |   | CPR137G                        | CPR90G |
| Reflector     |   | 2-parts                        |        |
| Radome        |   | Flexible, White Color RAL 9010 |        |
| Antenna color |   | Grey RAL 7000                  |        |
| Swaybar       |   | 4: (3.0 m x Ø60 mm)            |        |
| Polarization  | - | dual                           | dual   |



**DBUX12-W60W103ACCSQZE**

Dual Band 12ft (3.7m)Antenna, Ultra High Performance, Low band Wide 6GHz Dual Polarized, High Band Wide 11GHz Dual Polarized, High Wind High Ice Configuration

**ELECTRICAL SPECIFICATIONS**

| Frequency                                | GHz     | 5.925-7.125  | 10.3-11.7  |
|--|---------|--|--|
| Regulatory Compliance                    | -       | ETSI EN 302217 R1 C3<br>US FCC cat 101A/74A<br>ACMA FX03-6B/6.7B<br>IC SRSP 305.9A/306.4A<br>ANATEL C2 | ETSI EN 302217 R1 C3<br>US FCC cat 101A<br>ACMA FX03-10A/11A<br>IC SRSP 310.5 / 310.7A / 310.7B<br>ANATEL C2 |
| Low band gain                            | dBi     | 44.2   | 48.9   |
| Mid band gain                            | dBi     | 45.1   | 49.4   |
| High band gain                           | dBi     | 45.7   | 49.8   |
| F/B ratio                                | dB      | 75   | 78   |
| Max VSWR / RL                            | - (dB)  | 1.22 (20)  | 1.22 (20)  |
| IPI                                      | dB      | 45   | 45   |
| 3dB beamwidth                            | degrees | 0.8  | 0.5  |
| XPD                                      | dB      | 36   | 36   |
| Low - High Frequency Band discrimination | dB      | 40   |  |

**MECHANICAL SPECIFICATIONS**

|                                |            |           |
|--------------------------------|------------|-----------|
| Diameter                       | ft (m)     | 12 (3.7)  |
| Elevation Adjustment           | degrees    | ±5        |
| Azimuth Adjustment             | degrees    | ±5        |
| Polarization Adjustment        | degrees    | ±5        |
| Mounting Pipe Diameter minimum | mm (in)    | 114 (4.5) |
| Mounting Pipe Diameter maximum | mm (in)    | 114 (4.5) |
| Approximate Weight             | kg (lb)    | 420 (924) |
| Survival Windspeed             | km/h (mph) | 252 (155) |
| Operational Windspeed          | km/h (mph) | 190 (118) |

**STRUCTURE**

|                 |                   |
|-----------------|-------------------|
| Radome Material | PVC coated fabric |
|-----------------|-------------------|

**FURTHER ACCESSORIES**

|                     |   |
|---------------------|---|
| optional Swaybar    | 1: SMA-SK-60-3000A (3.0 m x Ø60 mm)                   |
| Further Accessories | SMA-SKO-UNIVERSAL-L : Universal sway bar fixation kit |

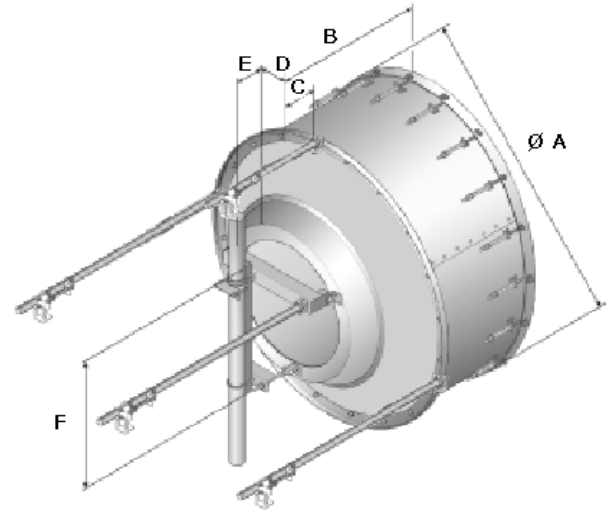


**DBUX12-W60W103ACCSQZE**

Dual Band 12ft (3.7m)Antenna, Ultra High Performance, Low band Wide 6GHz Dual Polarized, High Band Wide 11GHz Dual Polarized, High Wind High Ice Configuration

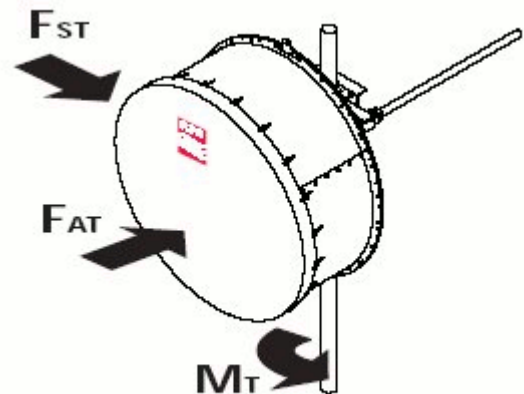
**MOUNTOUTLINE**

|                                     |            |             |
|-------------------------------------|------------|-------------|
| <b>Dimension_A</b>                  | mm<br>(in) | 3800 (150)  |
| <b>Dimension_B</b>                  | mm<br>(in) | 1880 (74)   |
| <b>Dimension_C</b>                  | mm<br>(in) | 670 (26.5)  |
| <b>Dim_D-<br/>114mm(4.5_in)Pipe</b> | mm<br>(in) | 190 (7.5)   |
| <b>Dimension_E</b>                  | mm<br>(in) | 370 (14.6)  |
| <b>Dimension_F</b>                  | mm<br>(in) | 1580 (62.5) |



**WINDLOAD**

|  |               |               |
|--|---------------|---------------|
| <b>Fs Side force max. @ survival wind speed</b>          | N (lb)        | 21422 (4978)  |
| <b>Fa Axial force max. @ survival wind speed</b>         | N (lb)        | 43234 (9688)  |
| <b>M Torque maximum @ survival wind speed Nm (ft lb)</b> | Nm<br>(lb ft) | 26016 (19375) |



**External Document Links**

- [REP Low Band \(IQ-Link format\)](#)
- [RPE Low Band \(PDF format\)](#)
- [RPE Low Band \(PATHLOSS format\)](#)
- [RPE Upper Band \(IQ-Link format\)](#)
- [RPE Upper Band \(PATHLOSS format\)](#)



PRODUCT DATASHEET

**DBUX12-W60W103ACCSQZE**

Dual Band 12ft (3.7m)Antenna, Ultra High Performance, Low band Wide 6GHz Dual Polarized, High Band Wide 11GHz Dual Polarized, High Wind High Ice Configuration

[RPE Upper Band \(PDF format\)](#)

Notes