



**DBUX12-W60W103ADB4**

Dual Band 12ft (3.7m)Antenna, Ultra High Performance, Low band Wide 6GHz Dual Polarized, High Band Wide 11GHz Dual Polarized

Dual band large size antennas are the ideal solution for longhaul application when ultrahigh capacity cannot be achieved by a single frequency operation. These antennas enable multiple signal propagating in two different frequency bands by one set of feed and reflector. In addition to providing the benefits including flexible frequency plan and diversity, this solution reduces tower load, tower rental space, transportation cost and installation time.

RFS offers these antennas in the most popular frequency combinations such as 6GHz and 11GHz, with the sizes from 6ft (1.8m) to 12ft (3.7m).

**FEATURES / BENEFITS**

- One antenna covering two most popular frequency bands 6GHz and 11GHz
- Available antenna sizes include 6ft (1.8m), 8ft (2.4m), 10ft (3.0m) and 12ft (3.7m)
- Maximize link capacity by supporting dual polarization in each band
- High XPD provides better support to XPIC and CCDP
- Achieve better frequency diversity (FD) effect



**Technical features**

**GENERAL SPECIFICATIONS**

|                      |   |                         |        |
|----------------------|---|-------------------------|--------|
| <b>Product Type</b>  |   | Point to point antennas |        |
| <b>Profile</b>       |   | PrimeLine               |        |
| <b>Performance</b>   |   | Ultra High, High XPD    |        |
| <b>Antenna Input</b> |   | PDR70                   | PBR100 |
| <b>Reflector</b>     |   | 2-parts                 |        |
| <b>Radome</b>        |   | flexible                |        |
| <b>Antenna color</b> |   | White RAL 9010          |        |
| <b>Swaybar</b>       |   | 1: (3.0 m x Ø60 mm)     |        |
| <b>Polarization</b>  | - | dual                    | dual   |

**ELECTRICAL SPECIFICATIONS**

|   |         |  |  |
|---|---------|--|--|
| <b>Frequency</b>                                | GHz     | 5.925-7.125  | 10.3-11.7  |
| <b>Regulatory Compliance</b>                    | -       | ETSI EN 302217 R1 C3<br>US FCC cat 101A/74A<br>ACMA FX03-6B/6.7B<br>IC SRSP 305.9A/306.4A<br>ANATEL C2 | ETSI EN 302217 R1 C3<br>US FCC cat 101A<br>ACMA FX03-10A/11A<br>IC SRSP 310.5 / 310.7A / 310.7B<br>ANATEL C2 |
| <b>Low band gain</b>                            | dBi     | 44.2   | 48.9   |
| <b>Mid band gain</b>                            | dBi     | 45.1   | 49.4   |
| <b>High band gain</b>                           | dBi     | 45.7   | 49.8   |
| <b>F/B ratio</b>                                | dB      | 75   | 78   |
| <b>Max VSWR / RL</b>                            | - (dB)  | 1.22 (20)  | 1.22 (20)  |
| <b>IPI</b>                                      | dB      | 45   | 45   |
| <b>3dB beamwidth</b>                            | degrees | 0.8  | 0.5  |
| <b>XPD</b>                                      | dB      | 36   | 36   |
| <b>Low - High Frequency Band discrimination</b> | dB      | 40   |  |



**DBUX12-W60W103ADB4**

Dual Band 12ft (3.7m)Antenna, Ultra High Performance, Low band Wide 6GHz Dual Polarized, High Band Wide 11GHz Dual Polarized

**MECHANICAL SPECIFICATIONS**

|                                |            |           |
|--------------------------------|------------|-----------|
| Diameter                       | ft (m)     | 12 (3.7)  |
| Elevation Adjustment           | degrees    | ±5        |
| Azimuth Adjustment             | degrees    | ±5        |
| Polarization Adjustment        | degrees    | ±5        |
| Mounting Pipe Diameter minimum | mm (in)    | 114 (4.5) |
| Mounting Pipe Diameter maximum | mm (in)    | 114 (4.5) |
| Approximate Weight             | kg (lb)    | 420 (924) |
| Survival Windspeed             | km/h (mph) | 200 (125) |
| Operational Windspeed          | km/h (mph) | 190 (118) |

**STRUCTURE**

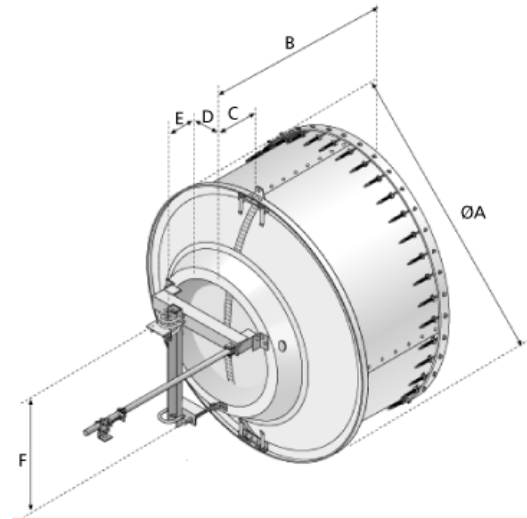
|                 |                   |
|-----------------|-------------------|
| Radome Material | PVC coated fabric |
|-----------------|-------------------|

**FURTHER ACCESSORIES**

|                     |   |
|---------------------|---|
| optional Swaybar    | 1: SMA-SK-60-3000A (3.0 m x Ø60 mm)   |
| Further Accessories | SMA-WK-12 : Wind Kit<br>SMA-SKO-UNIVERSAL-L : Universal sway bar fixation kit |

**MOUNTOUTLINE**

|                             |         |             |
|-----------------------------|---------|-------------|
| Dimension_A                 | mm (in) | 3800 (150)  |
| Dimension_B                 | mm (in) | 1880 (74)   |
| Dimension_C                 | mm (in) | 670 (26.5)  |
| Dim_D-<br>114mm(4.5_in)Pipe | mm (in) | 190 (7.5)   |
| Dimension_E                 | mm (in) | 370 (14.6)  |
| Dimension_F                 | mm (in) | 1580 (62.5) |



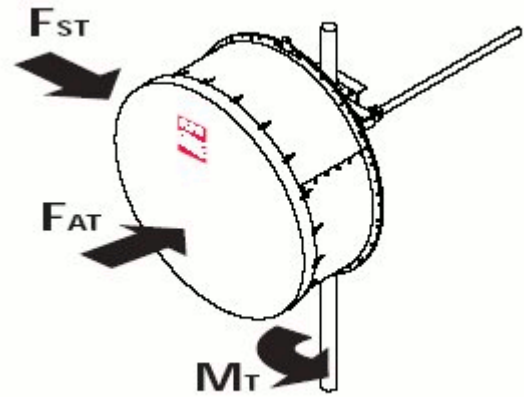


**DBUX12-W60W103ADB4**

Dual Band 12ft (3.7m)Antenna, Ultra High Performance, Low band Wide 6GHz Dual Polarized, High Band Wide 11GHz Dual Polarized

**WINDLOAD**

|  |            |              |
|--|------------|--------------|
| <b>Fs Side force max. @ survival wind speed</b>          | N (lb)     | 13710 (3071) |
| <b>Fa Axial force max. @ survival wind speed</b>         | N (lb)     | 27670 (6200) |
| <b>M Torque maximum @ survival wind speed Nm (ft lb)</b> | Nm (lb ft) | 16650 (7600) |



**External Document Links**

- [RPE Low Band \(IQ-Link format\)](#)
- [RPE Low Band \(PDF format\)](#)
- [RPE Low Band \(PATHLOSS format\)](#)
- [RPE Upper Band \(IQ-Link format\)](#)
- [RPE Upper Band \(PATHLOSS format\)](#)
- [RPE Upper Band \(PDF format\)](#)

**Notes**