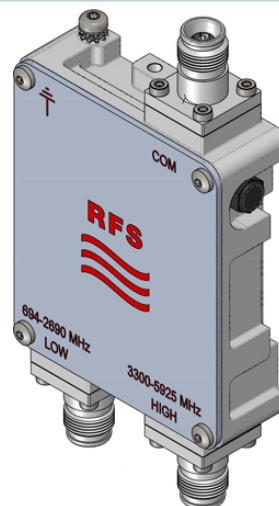




The ShareLite FDX5 family of diplexers enable feeder sharing between systems in the 694 - 2690 MHz spectrum for Path 1 and 3300 - 5925 MHz (CBRS/LAA) spectrum for Path 2. The innovative design delivers very low insertion loss in an extremely small and lightweight envelope. Selective filters guarantee 50 dB of isolation between ports for an interference free deployment in any environment. An IP67 housing design protects against the most severe outdoor installation with a vented enclosure to eliminate condensation and pressure instability. The result is a long lasting solution with exceptional reliability.

**FEATURES / BENEFITS**

- Exceptionally compact design, very small footprint
- Single unit (2:1)
- DC pass 694-2690 (Path 1)
- 2.2-5 connectors
- Extremely Low Insertion Loss
- High power handling capability
- High level of Rejection between bands - Protection against interference
- Superb environmental protection (IP-67)
- Mounting hardware for Wall and Pole mount provided



**Technical features**

**GENERAL SPECIFICATIONS**

<b>Product Type</b>		Diplexer, Cross Band Combiner
<b>Application</b>		LTE700, LTE800, GSM900, 1500 L Band (LTE Band 32), GSM1800, LTE1800, PCS, UMTS, AWS, LTE2100, LTE2300, WCS, BRS, LTE2600, CBRS, LAA, 3.5GHz, Band 42, Band 43
<b>Configuration</b>		Single (2:1), Outdoor/indoor

**ELECTRICAL SPECIFICATIONS**

<b>Branch</b>		1 , 2	
<b>Frequency Range</b>	MHz	694 - 2690	3300 - 5925
<b>Impedance</b>	Ohms	50, 50	
<b>Frequency Band</b>		LTE700, LTE800, GSM900, 1500 L Band (LTE Band 32), GSM1800, LTE1800, PCS, UMTS, AWS, LTE2100, LTE2300, WCS, BRS, LTE2600, CBRS, LAA, 3.5GHz, Band 42, Band 43	
<b>DC Pass</b>		DC pass 694-2690 (Path 1)	
<b>Insertion Loss</b>	dB	0.1 typ, 0.3 max, 0.2 typ, 0.5 max	
<b>Return Loss</b>	dB	19 min / 22 typ., 16 min / 22 typ	
<b>Power Handling Continuous, Max.</b>	W	160	
<b>Rejection between bands</b>	dB	50	
<b>3rd Order PIM</b>	dBm (dBc)	-118 (-161) @ 2 x 43	

**TESTING AND ENVIRONMENTAL**

<b>Temperature Range</b>	°C (°F)	-40 to 65 (-40 to 149)
<b>Ingress Protection</b>		IP 67
<b>Environmental</b>		ETSI 300-019 2-4 Class 4.1E
<b>Lightning Protection</b>		IEC61000-4-5 Level 4 / 5kA, 8/20 uS

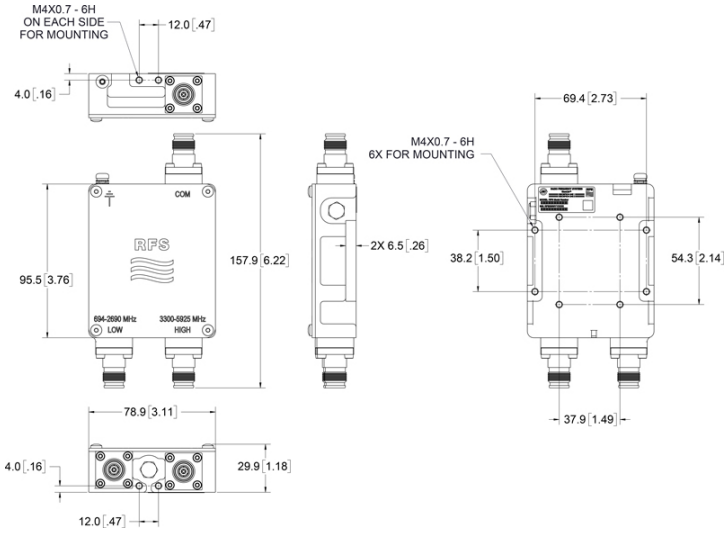


**PRODUCT DATASHEET**  
**FDFX55020S2-2C**

ShareLite™ 694 - 2690MHz / 3300 - 5925 MHz Diplexer, with DC Pass 694-2690, Single Configuration, 2.2-5 Connectors

**MECHANICAL SPECIFICATIONS**

<b>RF Connectors</b>		2.2-5, 2 Port In, 1 Port Out
<b>Shipping Weight</b>	kg (lb)	0.54 (1.2)
<b>Dimensions, H x W x D</b>	mm (in)	96 x 79 x 30 (3.8 x 3.1 x 1.2)
<b>Shipping Dimensions, H x W x D</b>	mm (in)	96 x 79 x 30 (3.8 x 3.1 x 1.2)
<b>Mounting</b>		N/A



External Document Links

Notes