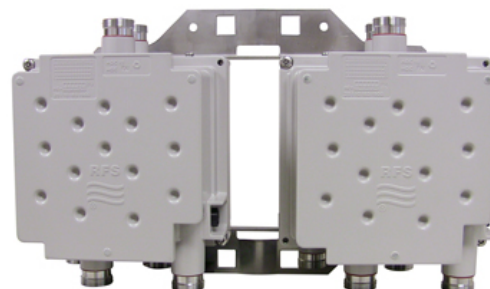




The FDJ8 Series of diplexers are designed to enable feeder sharing between systems in the 555-806 MHz range and in the 824-960 MHz range. RFS's innovative cavity filter design provides a very low insertion loss of 0.2dB typical while keeping the product extremely compact and lightweight. The usage of highly selective filters also guarantees a high isolation level of 50dB between ports, to ensure an interference-free environment for any technology deployed. The filter design also comprises of lightning protection for additional reliability. Designed to withstand the most severe outdoor environments, it also features an IP67 class protection with a vented enclosure to avoid any possible effects of condensation and pressure instability, thus providing a long lasting, extremely reliable solution to any network.



FEATURES / BENEFITS

- Quad unit for 4x4 MIMO use
- Auto DC Sense to prevent installation mistakes and eliminate the need for DC stops
- 4.3-10 Connectors
- Extremely Low Insertion Loss
- High level of Rejection between bands - Protection against interference
- Extremely High Power Handling Capability
- Very compact & small size design - Easy installation and reduced tower load
- Exceptional reliability & environmental protection (IP-67)
- Mounting hardware for Wall and Pole mount provided

Technical features

GENERAL SPECIFICATIONS

Product Type		Diplexer/Cross Band Combiner
Application		600MHz, LTE700, Cellular 800, GSM900
Configuration		Dual indoor/outdoor

ELECTRICAL SPECIFICATIONS

Branch		1, 2
Frequency Range	MHz	555-806 824-960
Impedance	Ohms	50, 50
Frequency Band		600MHz, LTE700, Cellular 800, GSM900
Insertion Loss	dB	.20 typ., .20 typ.
Group Delay Variation	ns	0, 0
GROUPDELAYNS	ns	<7 typ., 40 max., <9 typ., 35 max.
Total Group Delay	ns	<7 typ., 40 max., <9 typ., 35 max.
Rejection between bands	dB	50, 50
3rd Order PIM	dBm (dBc)	-118 (-161) @2x43 typ., -118 (-161) @2x43 typ.

TESTING AND ENVIRONMENTAL

Temperature Range	°C (°F)	-40 to 65 (-40 to 149)
Ingress Protection		IP 67
Environmental		ETSI 300-019-2-4 Class 4.1E
Lightning Protection		EN/IEC61000-4-5 Level 4



FDJ85020Q4-S1

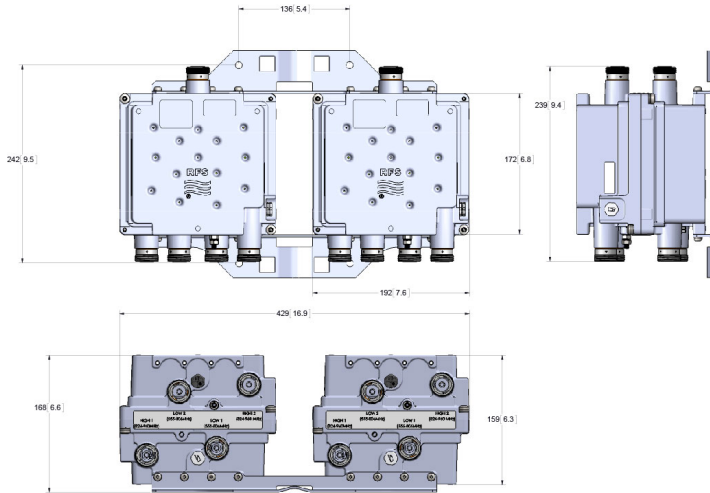
ShareLite™ 555-806/824-960 MHz Diplexer with Auto DC Sense, Quad configuration, 4.3-10 Connectors

MECHANICAL SPECIFICATIONS

RF Connectors		4.3-10 Female; 8 ports in, 4 ports out
Shipping Weight	kg (lb)	10.7 (23.6)
Dimensions, H x W x D	mm (in)	172 x 429 x 159 (6.8 x 16.9 x 6.3)
Shipping Dimensions, H x W x D	mm (in)	172 x 429 x 159 (6.8 x 16.9 x 6.3)
Mounting		Wall Mounting: With 4 screws (maximum 6mm diameter) Pole Mounting: With included clamp set 40-110mm (1.57-4.33")

SELECTION TABLE

Configuration	Model Number	Connector Type	Auto DC Sense
Dual	FDJ85020D4-S1	4.3-10	X
Dual	FDJ85020D7-S1	7/16	X
Quad	FDJ85020Q4-S1	4.3-10	X
Quad	FDJ85020Q7-S1	7/16	X





Diplexer **Auto DC Sense**

FDJ85020D4-S1 and FDJ85020D4-S1A Models ONLY

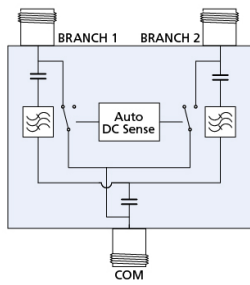
	Branch 1 555-806 MHz	Branch 2 824-960 MHz
Priority 1 (Highest)	X	
Priority 2 (Lowest)		X

In case of more than one port supplying DC/AISG signal:

- Higher Priority will automatically bypass to/from the COM port
- Lower Priority will not pass
- DC-Block Jumper can be used if DC Should not be passed per logic above

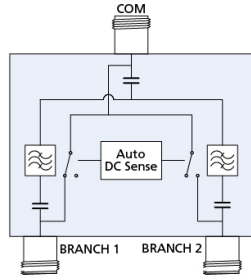
Diplexer Mode (Near Antenna)

- DC Blocks provide a DC open circuit, will not pass DC/AISG
- Antennas connected without a Bias-T provide a DC short circuit, will not pass DC/AISG
- To turn on port after it has been shut off due to short, reset unit by cycling the power



Standard Priority for Diplexer Mode

Combiner Mode (Near BTS)



Standard Priority for Combiner Mode

External Document Links

Notes