



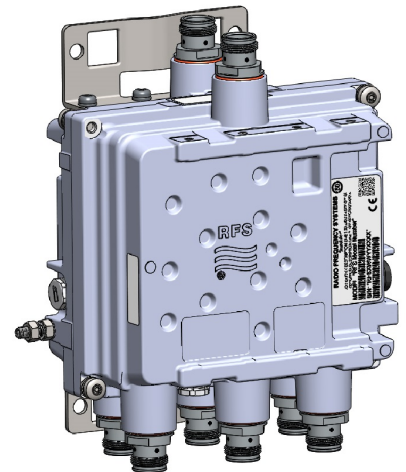
FTBRM5015D4-S1

ShareLite™ 380-960/1695-2200/2300-2690 MHz Triplexer, with Auto DC/AISG Sense, Dual configuration, 4.3-10 Connectors

The Sharelite FTBRM Series of triplexers are designed to enable feeder sharing between systems in the 380-960, 1695-2200 and 2300-2690 MHz range. RFS's innovative cavity filter design provides a very low insertion loss of 0.1-0.15dB typical while keeping the product extremely compact and lightweight. The usage of highly selective filters also guarantees a high isolation level of 50dB between ports, to ensure an interference-free environment for any technology deployed. The filter design also comprises of lightning protection for additional reliability. Designed to withstand the most severe outdoor environments, it also features an IP67 class protection with a vented enclosure to avoid any possible effects of condensation and pressure instability, thus providing a long lasting, extremely reliable solution to any network.

FEATURES / BENEFITS

- Dual unit for use with X-pol Antennas
- Auto DC sense to prevent installation mistakes and eliminate the need for DC stops
- 4.3-10 Connectors - Reduce tower loading with connectors that are 40% smaller and lighter than 7-16 DIN connectors
- Extremely Low Insertion Loss
- High level of Rejection between bands - Protection against interference
- Extremely High Power Handling Capability
- Very compact & small size design - Easy installation and reduced tower load
- Exceptional reliability & environmental protection (IP-67)
- Mounting hardware for Wall and Pole mount provided (P/N SEM2-1A)
- Grounding already provided through the mounting bracket



Technical features

GENERAL SPECIFICATIONS

Product Type		Triplexer/Cross Band Combiner		
Application		LTE700, LTE800, GSM900, GSM1800, LTE1800, UMTS, LTE2100, LTE2300, WCS, BRS, LTE2600		
Configuration		Dual indoor/outdoor		

ELECTRICAL SPECIFICATIONS

Branch		1, 2, 3		
Frequency Range	MHz	380-960	1695-2200	2300-2690
Impedance	Ohms	50, 50, 50		
Frequency Band		LTE700, LTE800, GSM900, GSM1800, LTE1800, UMTS, LTE2100, LTE2300, WCS, BRS, LTE2600		
DC Pass		Auto DC Sense		
Insertion Loss	dB	0.15 typ. / 0.3 max., 0.1 typ. / 0.2 max., 0.1 typ. / 0.2 max.		
GROUP DELAYS	ns	2 max., 10 max., 8 max.		
Total Group Delay	ns	2 max., 10 max., 8 max.		
Return Loss	dB	22 typ. , 22 typ. , 22 typ.		
Power Handling Continuous, Max.	W	900 at common port, 300 in each path		
Input Power, PEP	W	3000		
Rejection between bands	dB	50		
3rd Order PIM	dBm (dBc)	-118 (-161) @2x43 typ.		

TESTING AND ENVIRONMENTAL

Temperature Range	°C (°F)	-40 to 65 (-40 to 149)		
Ingress Protection		IP 67		
Environmental		ETSI 300 019 1-4 Class 4.1E		
Lightning Protection		IEC61000-4-5 Level 4		



FTBRM5015D4-S1

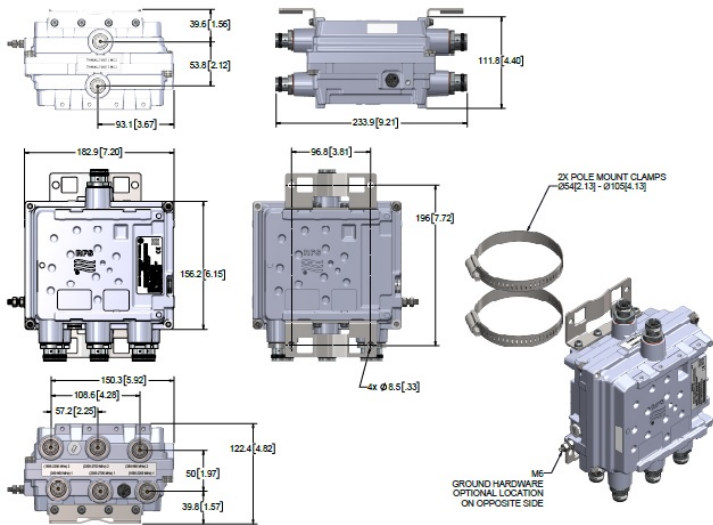
ShareLite™ 380-960/1695-2200/2300-2690 MHz Triplexer, with Auto DC/AISG Sense, Dual configuration, 4.3-10 Connectors

MECHANICAL SPECIFICATIONS

RF Connectors		4.3-10 Female; 6 ports in, 2 ports out
Weight	kg (lb)	4.9 (10.8)
Shipping Weight	kg (lb)	6 (13.2)
Dimensions, H x W x D	mm (in)	156 x 183 x 108 (6.2 x 7.2 x 4.0)
Shipping Dimensions, H x W x D	mm (in)	390 x 320 x 270 (15.4 x 12.6 x 10.6)
Mounting		Wall Mounting: With 4 screws (maximum 6mm diameter) Pole Mounting: With included clamp set 40-110mm (1.57-4.33")

SELECTION TABLE

Type	Model Number	380 - 960 MHz Path	1695 - 2200 Path	2300 - 2700 Path
Dual	FTBRM5015D4-S1	Auto DC Sense Priority 1	Auto DC Sense Priority 2	Auto DC Sense Priority 3



External Document Links

Notes