



**O-BLLYYZ06-01**

Omni-Directional Cross Polarized 14 Port Antenna, 694-960/694-960/1695-2690/1695-2690/3300-4200/3300-4200/5150-5925 MHz, 360 deg, 3.8/3.8/10.0/10.1/6.8/6.9/5.9 dBi, 0.6m (2ft), Fixed Electrical TO

**FEATURES / BENEFITS**

This antenna provides a 14 port Omni-Directional platform for advanced use in encompassing low band 700MHz and 800MHz deployment scenarios and high band AWS, PCS, BRS, CBRS, C-Band, and LAA in a high quality package design built to withstand harsh environments.

• **Expanded 3.3 - 4.2 GHz range covers CBRS and full C-Band**

- x4 MIMO on 700/800/900
- x4 MIMO on AWS/PCS/BRS
- x4 MIMO on CBRS/C-Band
- x2 MIMO on LAA
- Clover Omni-Pattern Performance
- Quick and Easy Installation



**Technical features**

**ELECTRICAL SPECIFICATIONS**

Electrical Specification Header		LOW BAND BOTTOM ARRAY (694-960 MHz) [R1]		
Frequency Range	MHz	694-806	806-894	880-960
Gain Typical	dBi	2.7	3.3	3.8
Gain Over all Tilts	dBi	2.2+/-0.5	2.8+/-0.5	3+/-0.8
Horizontal Beamwidth	deg	360		
Vertical Beamwidth	deg	94.5+/-24.1	91.3+/-16.6	79.7+/-8.2
Electrical Downtilt		deg		
Cross Polar Isolation Between Ports	dB	25		
VSWR	1.5:1			
3rd Order IMP 2 x 43dBm	dB	- 153		
Maximum Power Input	Watts	50		

**ELECTRICAL SPECIFICATIONS**

Electrical Specification Header		LOW BAND TOP ARRAY (694-960 MHz) [R2]		
Frequency Range	MHz	694-806	806-894	880-960
Gain Typical	dBi	3.6	3.6	3.8
Gain Over All Tilts	dBi	2.8+/-0.8	2.9+/-0.7	2.8+/-1
Horizontal Beamwidth	deg	360		
Vertical Beamwidth	deg	69+/-17.6	69.6+/-19.9	83.2+/-16.3
Electrical Downtilt		deg		
Cross Polar Isolation Between Ports	dB	25		
VSWR	1.5:1			
3rd Order IMP 2 x 43dBm	dB	- 153		
Maximum Power Input	Watts	50		



**O-BLLYYZ06-01**

Omni-Directional Cross Polarized 14 Port Antenna, 694-960/694-960/1695-2690/1695-2690/3300-4200/3300-4200/5150-5925 MHz, 360 deg, 3.8/3.8/10.0/10.1/6.8/6.9/5.9 dBi, 0.6m (2ft), Fixed Electrical TO

**ELECTRICAL SPECIFICATIONS**

Electrical Specification Header		MID BAND LEFT ARRAY (1695-2690 MHZ) [Y1]				
Frequency Range	MHz	1695-1880	1850-1990	1920-2200	2300-2496	2496-2690
Gain Typical	dBi	7.8	8.0	8.5	9.0	10.0
Gain Over All tilts	dBi	7.3+/-0.5	7.5+/-0.5	8+/-0.5	8.2+/-0.8	9.1+/-0.9
Horizontal Beamwidth	deg	360				
Vertical Beamwidth	deg	19.8+/-3.1	18+/-1	17.3+/-1.7	15.4+/-1	13.9+/-0.7
Electrical Downtilt		deg				
Cross Polar Isolation Between Ports	dB	25				
VSWR	1.5:1					
3rd Order IMP 2 x 43dBm	dB	- 153				
Maximum Power Input	Watts	50				

**ELECTRICAL SPECIFICATIONS**

Electrical Specification Header		MID BAND RIGHT ARRAY (1695-2690 MHZ) [Y2]				
Frequency Range	MHz	1695-1880	1850-1990	1920-2200	2300-2496	2496-2690
Gain Typical	dBi	7.5	8.0	8.6	8.6	10.1
Gain Over All Tilts	dBi	7.3+/-0.2	7.5+/-0.5	8+/-0.6	8.1+/-0.5	9.1+/-1
Horizontal Beamwidth	deg	360				
Vertical Beamwidth	deg	20.3+/-1.5	18.4+/-0.8	17.5+/-1.5	15.2+/-1.8	13.7+/-1.7
Electrical Downtilt		deg				
Cross Polar Isolation Between Ports	dB	25				
VSWR	1.5:1					
3rd Order IMP 2 x 43dBm	dB	- 153				
Maximum Power Input	Watts	50				

**ELECTRICAL SPECIFICATIONS**

Electrical Specification Header		HIGH BAND LEFT ARRAY (3300-4200) [P1]			
Frequency Range	MHz	3300-3400	3400-3700	3700-4000	4000-4200
Gain Typical	dBi	6.5	6.7	6.8	6.7
Gain Over All Tilts	dBi	6+/-0.5	6.1+/-0.6	6+/-0.8	6.1+/-0.6
Max Gain	dBi	6.6	6.9	7.2	6.7
Min Gain	dBi	5.4	5.3	5.3	5.3
Horizontal Beamwidth	deg	360			
Vertical Beamwidth	deg	34.1+/-3.5	33.2+/-3.2	29.5+/-3	27.2+/-4.4
Electrical Downtilt		deg			
Cross Polar Isolation Between Ports	dB	25			
VSWR	1.5:1	1.4:1	1.5:1	1.5:1	1.5:1
3rd Order IMP 2 x 43dBm	dBc	/	-153	/	/
Maximum Power Input	Watts	50			



**O-BBLLYYZ06-01**

Omni-Directional Cross Polarized 14 Port Antenna, 694-960/694-960/1695-2690/1695-2690/3300-4200/3300-4200/5150-5925 MHz, 360 deg, 3.8/3.8/10.0/10.1/6.8/6.9/5.9 dBi, 0.6m (2ft), Fixed Electrical TO

**ELECTRICAL SPECIFICATIONS**

Electrical Specification Header		HIGH BAND RIGHT ARRAY (3300-4200) [P2]			
Frequency Range	MHz	3300-3400	3400-3700	3700-4000	4000-4200
Gain Typical	dBi	6.9	7.2	6.6	6.6
Gain Over All Tilts	dBi	6.4+/-0.5	6.5+/-0.7	6+/-0.6	6.1+/-0.5
Max Gain	dBi	6.9	7.4	6.9	6.9
Min Gain	dBi	5.8	5.4	5.1	5.7
Horizontal Beamwidth	deg	360			
Vertical Beamwidth	deg	33.7+/-3.3	32+/-2.7	30+/-3.7	27.4+/-3.8
Electrical Downtilt		deg			
Cross Polar Isolation Between Ports	dB	25			
VSWR	1.5:1	1.4:1	1.5:1		1.5:1
3rd Order IMP 2 x 43dBm	dBc	/	-153	/	/
Maximum Power Input	Watts	50			

**ELECTRICAL SPECIFICATIONS**

Electrical Specification Header		HIGH BAND ARRAY (5150-5925) [O1]			
Frequency Range	MHz	5150-5925			
Gain Typical	dBi	5.9			
Gain Over All Tilts	dBi	4.6+/-1.3			
Horizontal Beamwidth	deg	360			
Vertical Beamwidth	deg	24.1+/-3.4			
Electrical Downtilt		deg			
Cross Polar Isolation Between Ports	dB	25			
VSWR	1.4:1				
3rd Order IMP 2 x 43dBm	dB	/			
Maximum Power Input	Watts	5			

**ELECTRICAL SPECIFICATIONS**

Electrical Specification Header		5 GHz FCC Power Requirements			
U-NII Band	-	U-NII 1	U-NII 2A	U-NII 2C	U-NII 3
Frequency	MHz	5150-5250	5250-5350	5470-5725	5725-5850
Max Input Power per port to align with FCC Title 47 Part 15	Watts	0.5	0.125	0.125	0.5

**ELECTRICAL SPECIFICATIONS**

Impedance	Ohm	50			
Polarization	Deg	±45°			



**O-BBLLYYZ06-01**

Omni-Directional Cross Polarized 14 Port Antenna, 694-960/694-960/1695-2690/1695-2690/3300-4200/3300-4200/5150-5925 MHz, 360 deg, 3.8/3.8/10.0/10.1/6.8/6.9/5.9 dBi, 0.6m (2ft), Fixed Electrical TO

**MECHANICAL SPECIFICATIONS**

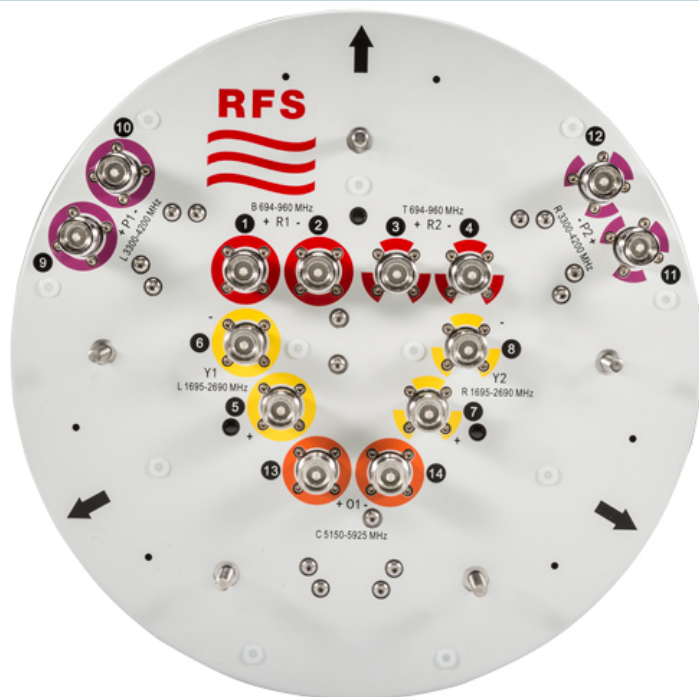
Dimensions - H x W x D	mm (in)	609 x 355 x 355 (24 x 14 x 14)
Weight (Antenna Only)	kg (lb)	11.3 (24.9)
Weight (Mounting Hardware only)	kg (lb)	6 (13.2)
Packing size- HxWxD	mm (in)	900 x 475 x 460 (35.4 x 18.7 x 18.1)
Shipping Weight	kg (lb)	21 (46.3)
Connector type		14 x 4.3-10 Long Neck Female/Bottom
Radome Material / Color		ASA / Light Grey RAL7035

**TESTING AND ENVIRONMENTAL**

Temperature Range	°C (°F)	-40 to 60 (-40 to 140 )
Lightning protection		Direct Ground
Survival/Rated Wind Velocity	km/h	240 (150 )
Wind Load @Rated Wind Front	N	170
Wind Load @Rated Wind Side	N	170
Wind Load @Rated Wind Rear	N	170

**ORDERING INFORMATION**

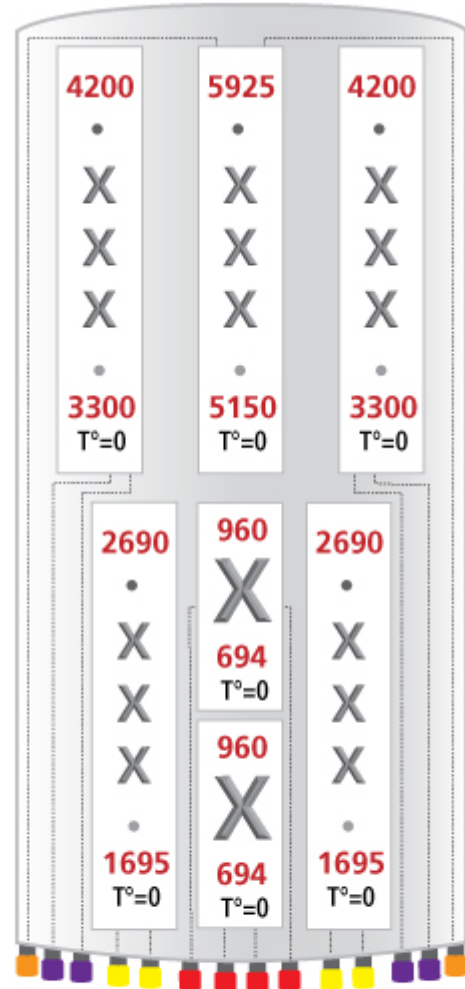
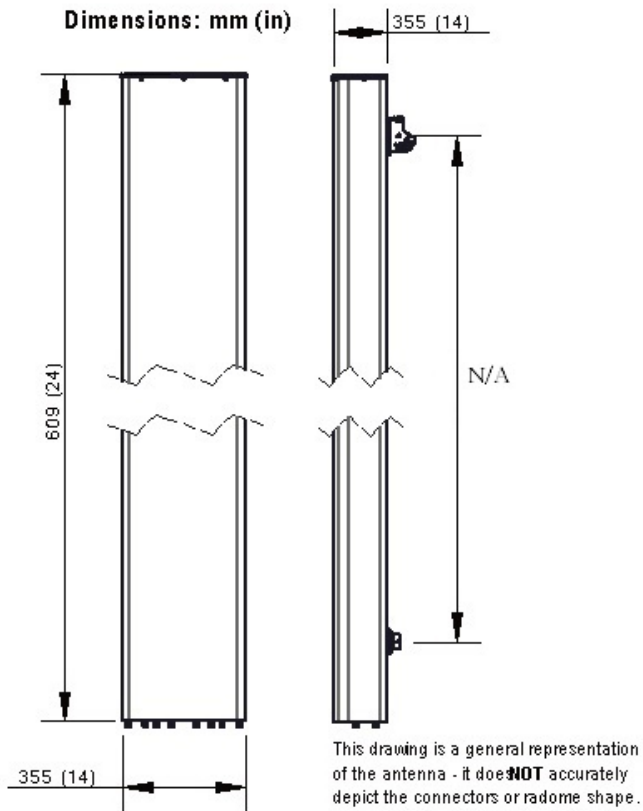
Model Number	Configuration	Mounting Hardware	Mounting pipe Diameter	Shipping Weight
O-BBLLYYZ06-01	Omni-Directional Canister	Pole Top Bracket (Quantity 1 Included)	60-120mm (2.36-4.72 in)	21 kg (46.3lbs)





O-BBLLYYZ06-01

Omni-Directional Cross Polarized 14 Port Antenna, 694-960/694-960/1695-2690/1695-2690/3300-4200/3300-4200/5150-5925 MHz, 360 deg, 3.8/3.8/10.0/10.1/6.8/6.9/5.9 dBi, 0.6m (2ft), Fixed Electrical TO



External Document Links  
[A\\_Omni Series\\_Installation\\_Instructions](#)

- Notes
- All electrical parameters are compliant with BASTA NGMN 11.1 requirements.
  - For additional mounting information please click ""External Document Links"".
  - Radiating patterns: [Request pattern files](#)