



**P1-BRRMM15-N0**

10-Ports, X-Pol, Panel Antenna, 1.5m, 1x 698-960/2x 1695-2200/2x 2490-2690MHz, 65deg, Integrated RET, Site Sharing Optional

**FEATURES / BENEFITS**

- 2 ports / 1 cross pol system in low band (698-960MHz)
- 2 cross pol systems in high band (1695-2690MHz), diplexed, resulting in 4 ports 1695-2200MHz and 4 ports 2490-2690MHz
- Integrated and field replaceable SRET
- ACU HW Version: 2.02
- Compliant with AISG V2.0 and 3GPP



**Technical features**

**ELECTRICAL SPECIFICATIONS**

Electrical Specification Header		Low Band Array (698-960 MHz) [R1]		
Frequency Band	MHz	698-806	790-894	880-960
Gain Typical	dBi	14.4	14.6	14.9
Gain Over all Tilts	dBi	14 +/- 0.4	14.2 +/- 0.4	14.6 +/- 0.3
Azimuth Beamwidth 3dB	Deg	67.2 +/- 1.5	66.7 +/- 1.2	67.3 +/- 2.4
Elevation Beamwidth 3dB	Deg	18.3 +/- 1.5	16.5 +/- 1	14.9 +/- 1
Cross Polar Discrimination at Boresight	dB	27.1	25.7	24.2
Cross Polar Discrimination over Sector	dB	8.9	8.2	8.9
F/B at +/-30deg Total Power	dB	22.6	23	23
First Upper Side Lobe Suppression	dB	14.9	15.3	12.8
Electrical Downtilt	Deg	2 to 15		
Cross Polar Isolation	dB	26		
Interband Isolation	dB	26		
VSWR	-	1.5		
Passive Intermodulation (3rd Order, 2 x 43dBm)	dBc	-153		
Maximum Effective Power per Port	Watt	350		



**P1-BRRMM15-N0**

10-Ports, X-Pol, Panel Antenna, 1.5m, 1x 698-960/2x 1695-2200/2x 2490-2690MHz, 65deg, Integrated RET, Site Sharing Optional

**ELECTRICAL SPECIFICATIONS**

Electrical Specification Header		High Band Array (1695-2200/2490-2690 MHz) [B1/Y1]			
Frequency Band	MHz	1695-1880	1850-1990	1920-2200	2490-2690
Gain Typical	dBi	17.2	17.6	17.6	18.6
Gain Over all Tilts	dBi	16.7 +/- 0.5	17.3 +/- 0.3	17.2 +/- 0.4	17.3 +/- 1.3
Azimuth Beamwidth 3dB	Deg	64.3 +/- 4.1	64.1 +/- 3.6	63.7 +/- 4.8	59.7 +/- 4.7
Elevation Beamwidth 3dB	Deg	6.5 +/- 0.4	6 +/- 0.3	5.6 +/- 0.5	4.7 +/- 0.3
Cross Polar Discrimination at Boresight	dB	18.9	19.9	19.2	18.5
Cross Polar Discrimination over Sector	dB	8.4	7.2	7.3	2.5
F/B at +/-30deg Total Power	dB	21.3	21.7	22.3	23.4
First Upper Side Lobe Suppression	dB	14.3	14.5	13.5	14.6
Electrical Downtilt	Deg	2 to 12			
Cross Polar Isolation	dB	26			
Interband Isolation	dB	26			
VSWR	-	1.5			
Passive Intermodulation (3rd Order, 2 x 43dBm)	dBc	-153			
Maximum Effective Power per Port	Watt	250			

**ELECTRICAL SPECIFICATIONS**

Electrical Specification Header		High Band Array (1695-2200/2490-2690 MHz) [B2/Y2]			
Frequency Band	MHz	1695-1880	1850-1990	1920-2200	2490-2690
Gain Typical	dBi	17.2	17.5	17.6	18.2
Gain Over all Tilts	dBi	16.7 +/- 0.5	17.2 +/- 0.3	17.2 +/- 0.4	17.2 +/- 1
Azimuth Beamwidth 3dB	Deg	63.9 +/- 4.6	65 +/- 3.1	63.4 +/- 5.3	60.6 +/- 5
Elevation Beamwidth 3dB	Deg	6.5 +/- 0.4	6 +/- 0.3	5.6 +/- 0.5	4.7 +/- 0.3
Cross Polar Discrimination at Boresight	dB	18.8	20	20	20
Cross Polar Discrimination over Sector	dB	7.4	6.7	6.6	1.8
F/B at +/-30deg Total Power	dB	20.7	21.3	22.7	26.4
First Upper Side Lobe Suppression	dB	13.3	13.3	12.3	13
Electrical Downtilt	Deg	2 to 12			
Cross Polar Isolation	dB	26			
Interband Isolation	dB	26			
VSWR	-	1.5			
Passive Intermodulation (3rd Order, 2 x 43dBm)	dBc	-153			
Maximum Effective Power per Port	Watt	250			



**P1-BRRMM15-N0**

10-Ports, X-Pol, Panel Antenna, 1.5m, 1x 698-960/2x 1695-2200/2x 2490-2690MHz, 65deg, Integrated RET, Site Sharing Optional

**ELECTRICAL SPECIFICATIONS**

Impedance	Ohm	50
Polarization	Deg	±45°

**MECHANICAL SPECIFICATIONS**

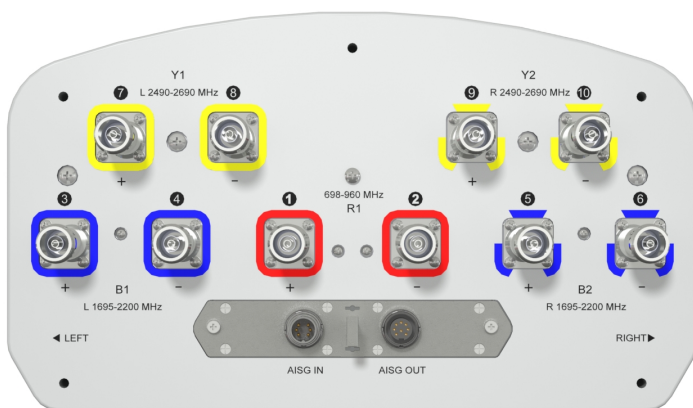
Dimensions - H x W x D	mm (in)	1495 x 350 x 200 (58.9 x 13.8 x 7.9)
Weight (Antenna Only)	kg (lb)	21 (46.3)
Weight (Mounting Hardware only)	kg (lb)	4.5 (9)
Packing size- HxWxD	mm (in)	1770 x 425 x 275 (69.7 x 16.7 x 10.8)
Shipping Weight	kg (lb)	31 (68.3)
Connector type		10 x 4.3-10 female/bottom + 2 AISG connectors (1 male, 1 female)
Radome Material / Color		Fiber Glass / Light Grey RAL7035

**TESTING AND ENVIRONMENTAL**

Temperature Range	°C (°F)	-40 to 60 (-40 to 140 )
Lightning protection		Direct Ground
Survival/Rated Wind Velocity	km/h	200 (150 )
Wind Load @Rated Wind Front	N	659
Wind Load @Rated Wind Side	N	342
Wind Load @Rated Wind Rear	N	373

**ORDERING INFORMATION**

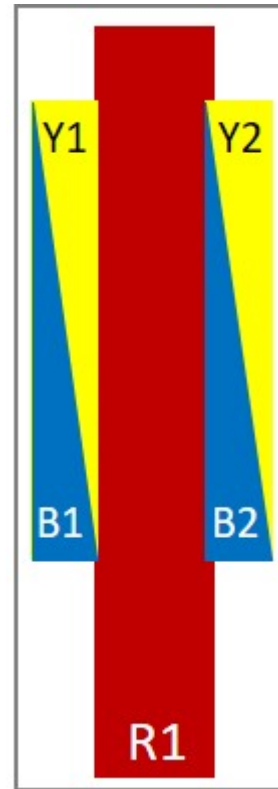
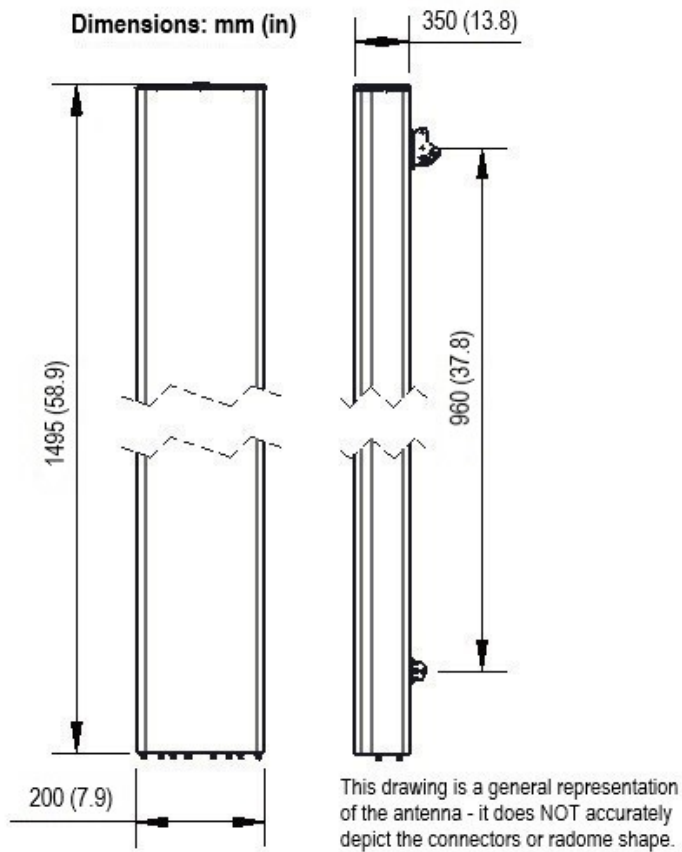
Order No.	Configuration	Mounting Hardware	Mounting Pipe Diameter	Shipping Weight
<b>P1-BRRMM15-N0</b>	Internal RET(ACU-I20-B5)	APM50-B1	50-110mm	31.0 kg
<b>P1-BRRMM15-S0 (Material Code: 50016706)</b>	Internal RET(ACU-X20-B5) Dynamic Site Sharing mode	APM50-B1	50-110mm	31.0 kg
<b>P1-BRRMM15-S0 (Material Code: 50016707)</b>	Internal RET(ACU-X20-B5) Static Site Sharing mode	APM50-B1	50-110mm	31.0 kg





**P1-BRRMM15-N0**

10-Ports, X-Pol, Panel Antenna, 1.5m, 1x 698-960/2x 1695-2200/2x 2490-2690MHz, 65deg, Integrated RET, Site Sharing Optional



**External Document Links**

[APM50\\_Series\\_Installation\\_Instructions](#)

**Notes**

- All electrical parameters are compliant with BASTA NGMN 11.1 requirements.
- For additional mounting information please click "External Document Links".

- **Radiating patterns:** [Request pattern files](#)