



FEATURES / BENEFITS

- 4 ports / 2 cross pol system in high band (3300-3800MHz)
- Integrated and field replaceable SRET
- ACU HW Version: 2.02
- Compliant with AISG V2.0 and 3GPP



Technical features

ELECTRICAL SPECIFICATIONS

Electrical Specification Header		High Band Array (3300-3800 MHz) [P1]	
Frequency Band	MHz	3300-3600	3600-3800
Gain Typical	dBi	17.9	17.6
Gain Over all Tilts	dBi	16.9 +/- 1	17.1 +/- 0.5
Azimuth Beamwidth 3dB	Deg	68.5 +/- 3.5	64.3 +/- 4.6
Elevation Beamwidth 3dB	Deg	6.1 +/- 0.4	6 +/- 0.1
Cross Polar Discrimination at Boresight	dB	18	18
Cross Polar Discrimination over Sector	dB	10	9.9
F/B at +/-30deg Total Power	dB	22	24
First Upper Side Lobe Suppression	dB	18	20.3
Electrical Downtilt	Deg	2 to 12	
Cross Polar Isolation	dB	28	
Interband Isolation	dB	30	
VSWR	-	1.5	
Passive Intermodulation (3rd Order, 2 x 43dBm)	dBc	-153	
Maximum Effective Power per Port	Watt	200	

**ELECTRICAL SPECIFICATIONS**

Electrical Specification Header		High Band Array (3300-3800 MHz) [P2]	
Frequency Band	MHz	3300-3600	3600-3800
Gain Typical	dBi	17.9	17.6
Gain Over all Tilts	dBi	16.9 +/- 1	17.1 +/- 0.5
Azimuth Beamwidth 3dB	Deg	68.5 +/- 3.5	64.2 +/- 4.4
Elevation Beamwidth 3dB	Deg	6.2 +/- 0.5	6 +/- 0.1
Cross Polar Discrimination at Boresight	dB	17.1	18
Cross Polar Discrimination over Sector	dB	10	10
F/B at +/-30deg Total Power	dB	22	23
First Upper Side Lobe Suppression	dB	19	24
Electrical Downtilt	Deg	2 to 12	
Cross Polar Isolation	dB	25	
Interband Isolation	dB	30	
VSWR	-	1.5	
Passive Intermodulation (3rd Order, 2 x 43dBm)	dBc	-153	
Maximum Effective Power per Port	Watt	400	

ELECTRICAL SPECIFICATIONS

Impedance	Ohm	50
Polarization	Deg	±45°

MECHANICAL SPECIFICATIONS

Dimensions - H x W x D	mm (in)	1000 x 180 x 115 (39.4 x 7.1 x 4.5)
Weight (Antenna Only)	kg (lb)	6.4 (14.1)
Weight (Mounting Hardware only)	kg (lb)	4.5 (9.9)
Packing size- HxWxD	mm (in)	1225 x 275 x 220 (48.2 x 10.8 x 8.7)
Shipping Weight	kg (lb)	11.4 (25.1)
Connector type		4 x 4.3-10 female/bottom + 2 AISG connectors (1 male, 1 female)
Radome Material / Color		UPVC / Light Grey RAL7035

TESTING AND ENVIRONMENTAL

Temperature Range	°C (°F)	-40 to 60 (-40 to 140)
Lightning protection		Direct Ground
Survival/Rated Wind Velocity	km/h	200 (150)
Wind Load @Rated Wind Front	N	221
Wind Load @Rated Wind Side	N	121
Wind Load @Rated Wind Rear	N	329

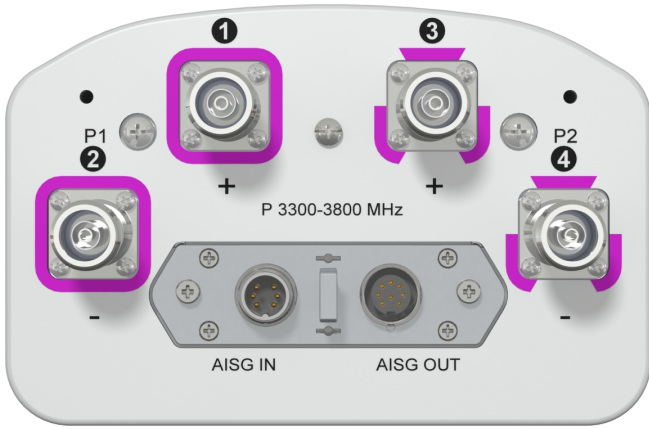
ORDERING INFORMATION

Order No.	Configuration	Mounting Hardware	Mounting pipe Diameter	Shipping Weight
PH-YY10-N0	Internal RET(ACU-I20-B2)	APM50-B1	50-110 mm	11.4 kg

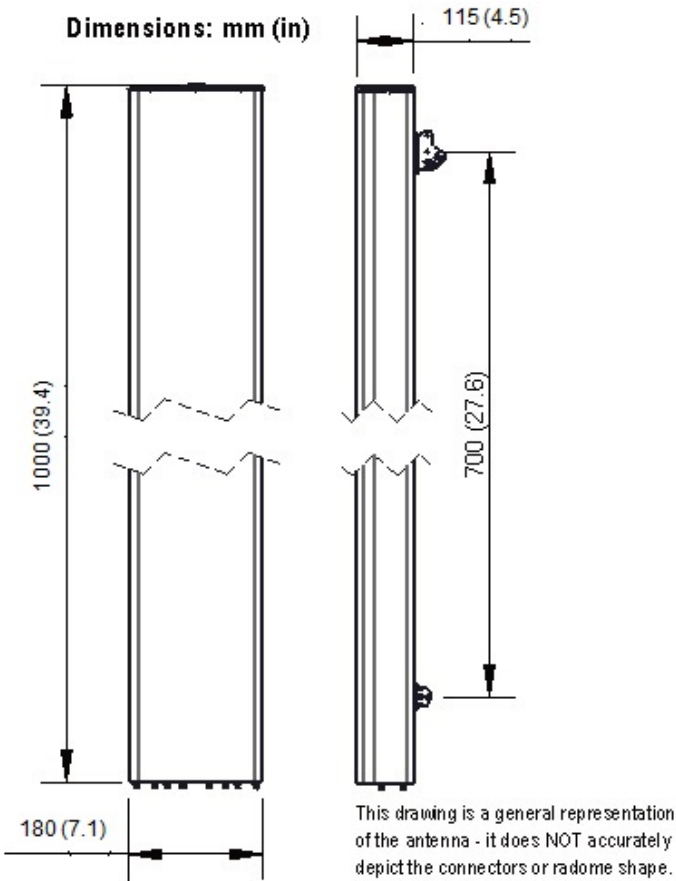


PH-YY10-N0

4-Ports, X-Pol, Panel Antenna, 1.0m, 2x 3300-3800MHz, 65deg, Integrated RET



Dimensions: mm (in)



External Document Links

[APM50_Series_Installation_Instructions](#)

Notes

- All electrical parameters are compliant with BASTA NGMN 11.1 requirements.
- For additional mounting information please click "External Document Links".
- **Radiating patterns:** [Request pattern files](#)