

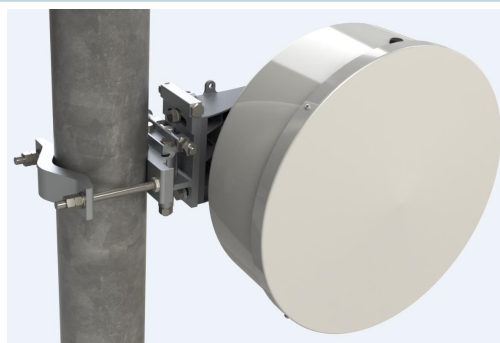


RFS Class 4 antennas are designed to provide the market's best RF performance and allow mobile operators to deploy new microwave links even in ultra-dense areas where high levels of interference are present.

- Available from 15 to 42 GHz frequency in both single (SL) and dual polarization (SLX) versions
- Support for winds up to 250 km/h (155 mph) and even 320 km/h (195 mph) for 0.3m antennas diameter
- An optional sway bar for antennas 1 m (3ft) and larger is available

**FEATURES / BENEFITS**

- Increase link capacity of the network
  - Improved radiation patterns for ETSI Class 4 providing better performance
  - Less interference and higher carrier-to-interference ratio
  - Allows radios to operate at higher modulation levels
- Minimize the total cost of ownership
  - Improved network efficiency
  - Facilitates better re-use of a frequency channel
  - Small antennas with better link throughput reduces tower leasing fees
- Easy to install
  - Very low weight
  - Compact mounting system
  - Lower cost of installation
- In-field upgrades – flexible feed design
  - Upgrade from single to dual polarization in the field
  - Build for the future – upgrade to the next generation radio in the field



**Technical features**

**GENERAL SPECIFICATIONS**

<b>Product Type</b>		Point to point antennas
<b>Profile</b>		SerenityLine
<b>Performance</b>		Super High
<b>Polarization</b>		Single
<b>Antenna Input</b>		PBR 320
<b>Reflector</b>		1-part
<b>Radome</b>		rigid
<b>Antenna color</b>		White RAL 9010
<b>Swaybar</b>		0: (not applicable)

**ELECTRICAL SPECIFICATION**

<b>Frequency</b>	GHz	31 - 33.4
<b>3dB beamwidth</b>	degrees	1.9
<b>Low Band Gain</b>	dBi	39.2
<b>Mid Band Gain</b>	dBi	39.5
<b>High Band Gain</b>	dBi	39.7
<b>F/B Ratio</b>	dB	70
<b>XPD</b>	dB	30
<b>Max VSWR / R L</b>	VSWR / dB	1.3 (17.7)
<b>Regulatory Compliance</b>		ETSI EN 302217 R5C14 Brazil Anatel Class 3



**MECHANICAL SPECIFICATIONS**

<b>Diameter</b>	ft (m)	1 (0.3)
<b>Elevation Adjustment</b>	degrees	± 15
<b>Azimuth Adjustment</b>	degrees	± 15
<b>Polarization Adjustment</b>	degrees	±5
<b>Mounting Pipe Diameter minimum</b>	mm (in)	48 (1.9)
<b>Mounting Pipe Diameter maximum</b>	mm (in)	114 (4.5)
<b>Survival Windspeed</b>	km/h (mph)	320 (196)
<b>Operational Windspeed</b>	km/h (mph)	252 (156)
<b>Approximate Weight</b>	kg (lb)	5 (11.02)

**STRUCTURE**

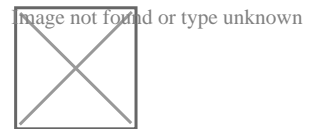
<b>Radome Material</b>		rigid
------------------------	--	-------

**OTHER ACCESSORIES**

<b>optional Swaybar</b>		0: (not applicable)
-------------------------	--	---------------------

**MOUNT OUTLINE**

<b>Dimension_A</b>	mm (in)	387 (15.2)
<b>Dimension_B</b>	mm (in)	289 (11.4)
<b>Dimension_C</b>	mm (in)	165 (6.5)
<b>Dim_D-51mm(2_in)Pipe</b>	mm (in)	250 (9.8)
<b>Dim_D-114mm(4.5_in)Pipe</b>	mm (in)	283 (11.1)
<b>Dimension_E</b>	mm (in)	46 (1.8)
<b>Dimension_F</b>	mm (in)	40 (1.6)



Outline\_1ft\_SerenityLine

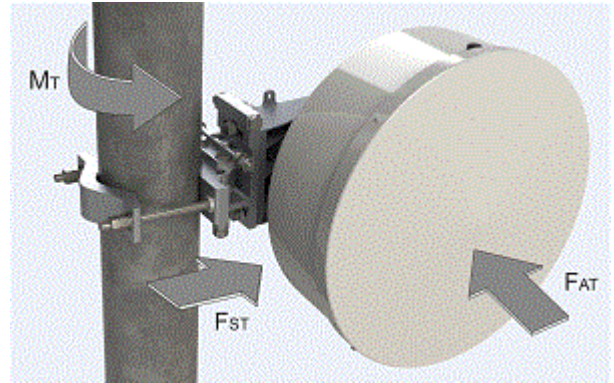


**SL1-320AB**

SerenityLine Antenna, Super High Performance, Single Polarized, 1ft

**WINDLOAD**

<b>Fs Side force max. @ survival wind speed</b>	N (lb)	354 (80)
<b>Fa Axial force max. @ survival wind speed</b>	N (lb)	715 (161)
<b>M Torque maximum @ survival wind speed Nm (ft lb)</b>	Nm (lb ft)	230 (52)



Forces 1ft SL

**External Document Links**

- [SL1/SLX1 PACKING](#)
- [RF INTERFACE 1 TO 6FT](#)
- [SL1/SLX1/SC1/SCX1 MOUNT](#)
- [RPE \(I-Q Link format\)](#)
- [RPE \(PDF format\)](#)
- [RPE \(Pathloss format\)](#)

**Notes**