

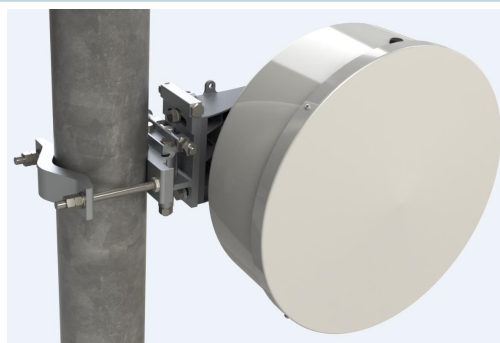


RFS Class 4 antennas are designed to provide the market’s best RF performance and allow mobile operators to deploy new microwave links even in ultra-dense areas where high levels of interference are present.

- Available from 15 to 42 GHz frequency in both single (SL) and dual polarization (SLX) versions
- Support for winds up to 250 km/h (155 mph) and even 320 km/h (195 mph) for 0.3m antennas diameter
- An optional sway bar for antennas 1 m (3ft) and larger is available

FEATURES / BENEFITS

- Increase link capacity of the network
 - Improved radiation patterns for ETSI Class 4 providing better performance
 - Less interference and higher carrier-to-interference ratio
 - Allows radios to operate at higher modulation levels
- Minimize the total cost of ownership
 - Improved network efficiency
 - Facilitates better re-use of a frequency channel
 - Small antennas with better link throughput reduces tower leasing fees
- Easy to install
 - Very low weight
 - Compact mounting system
 - Lower cost of installation
- In-field upgrades – flexible feed design
 - Upgrade from single to dual polarization in the field
 - Build for the future – upgrade to the next generation radio in the field



SL1 _TI

Technical features

GENERAL SPECIFICATIONS

Product Type		Point to point antennas
Profile		SerenityLine
Performance		Super High
Polarization		Single
Antenna Input		UG-383/U (modified)
Reflector		1-part
Radome		rigid
Antenna color		White RAL 9010
Swaybar		0: (not applicable)

ELECTRICAL SPECIFICATION

Frequency	GHz	40.5 - 43.5
3dB beamwidth	degrees	1.5
Low Band Gain	dBi	40.8
Mid Band Gain	dBi	41.2
High Band Gain	dBi	41.5
F/B Ratio	dB	72
XPD	dB	30
Max VSWR / R L	VSWR / dB	1.3 (17.7)
Regulatory Compliance		ETSI EN 302217 R5C14



MECHANICAL SPECIFICATIONS

Diameter	ft (m)	1 (0.3)
Elevation Adjustment	degrees	± 15
Azimuth Adjustment	degrees	± 15
Polarization Adjustment	degrees	±5
Mounting Pipe Diameter minimum	mm (in)	48 (1.9)
Mounting Pipe Diameter maximum	mm (in)	114 (4.5)
Survival Windspeed	km/h (mph)	320 (198)
Operational Windspeed	km/h (mph)	252 (156)
Approximate Weight	kg (lb)	5 (11.02)

STRUCTURE

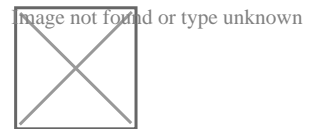
Radome Material		rigid
-----------------	--	-------

OTHER ACCESSORIES

optional Swaybar		0: (not applicable)
------------------	--	---------------------

MOUNT OUTLINE

Dimension_A	mm (in)	387 (15.2)
Dimension_B	mm (in)	289 (11.4)
Dimension_C	mm (in)	165 (6.5)
Dim_D-51mm(2_in)Pipe	mm (in)	250 (9.8)
Dim_D-114mm(4.5_in)Pipe	mm (in)	283 (11.1)
Dimension_E	mm (in)	46 (1.8)
Dimension_F	mm (in)	40 (1.6)



Outline_1ft_SerenityLine

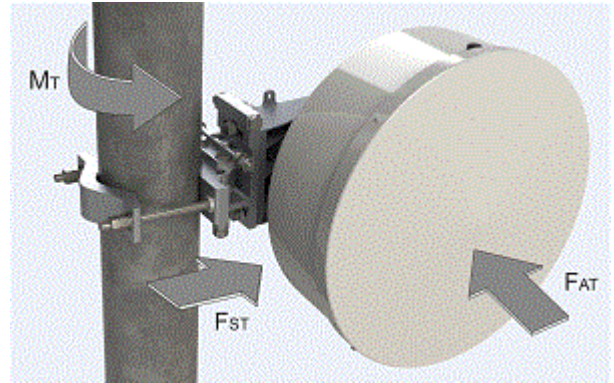


SL1-420AU

SerenityLine Antenna, Super High Performance, Single Polarized, 1ft

WINDLOAD

Fs Side force max. @ survival wind speed	N (lb)	354 (80)
Fa Axial force max. @ survival wind speed	N (lb)	715 (161)
M Torque maximum @ survival wind speed Nm (ft lb)	Nm (lb ft)	230 (52)



Forces 1ft SL

External Document Links

- [SL1/SLX1 PACKING](#)
- [RF INTERFACE 1 TO 6FT](#)
- [SL1/SLX1/SC1/SCX1 MOUNT](#)
- [RPE \(IQ-Link format\)](#)
- [RPE \(PDF format\)](#)
- [RPE \(Pathloss format\)](#)

Notes