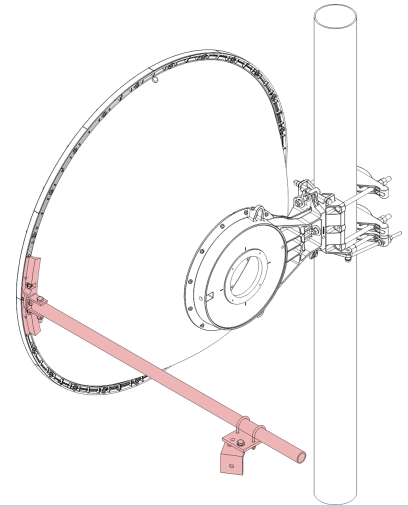




Perimeter Sway Bar 1.35 Meters length for Parabolic Antenna 3ft

FEATURES / BENEFITS

- The perimeter sway bar reduces vibration of the reflector and increases stability of the antenna in worst case conditions.
- The perimeter sway bar has no impact to the nominal survival wind speed performance of the antenna.
- The operational wind speed of all SC3/SCX3 antennas will be improved with the perimeter sway bar to 252 km/h (155 mph).



Technical features

MECHANICAL PROPERTIES

Diameter	m (ft)	()
Weight	kg (lb)	4.7 (10.4)
Sway bar length	m (ft)	1.35 (4.43)
SWAYBARDIAMETER	mm (in)	33 (1.3)

STRUCTURE

Product Type		Reinforcement Hardware
Kit Type		Perimeter Sway Bar
Material		Hot dip galvanised steel

External Document Links

[Sway bar installation kit](#)

Notes

The perimeter sway bar includes only the red marked parts and fixing hardware.

Only applicable for CompactLine Easy SC3 and SCX3 antennas.

Diameter of the sway bar : 33 mm (1.3 in)

Length of the sway bar : 1350 mm (53.1 in)