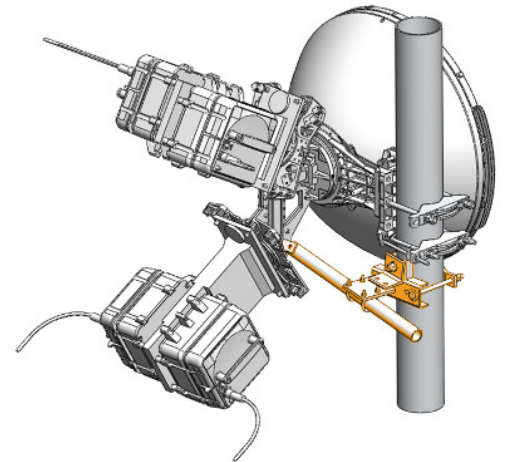




Perimeter Sway Bar 0.41 Meters length for OMT with Parabolic Antenna 2ft

**FEATURES / BENEFITS**

- The perimeter sway bar increases the stability of the OMT in case 4 ODUs are installed on the antenna.
- The perimeter sway bar reduces vibration of the OMT and increases stability of the antenna in worst case conditions.



**Technical features**

**MECHANICAL PROPERTIES**

Diameter	m (ft)	
Weight	kg (lb)	3 (6.6)
Sway bar length	m (ft)	0.41 (1.35)
SWAYBARDIAMETER	mm (in)	27 (0.09)

**STRUCTURE**

Product Type		Reinforcement Hardware
Kit Type		Perimeter Sway Bar
Material		Hot-dip galvanised steel

**External Document Links**

[Installation Instruction](#)

**Notes**

Only accessible for CompactLine Easy SCX2 antennas with RFS OMT from 6 GHz to 25 GHz  
 Only necessary in case of the installation of 4 ODUs.

Packing  
 CARDBOARD BOX 460\*210\*210