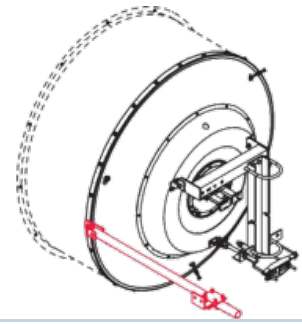




The use of the high wind kit improves the windload performance. The survival windspeed increases to 250 km/h (156 mph).

FEATURES / BENEFITS



Technical features

MECHANICAL PROPERTIES

Diameter	m (ft)	()
Weight	kg (lb)	4.7 (10.4)
Sway bar length	m (ft)	1.5 (4.92)
SWAYBARDIAMETER	mm (in)	33 (1.3)

STRUCTURE

Product Type		Reinforcement Hardware
Kit Type		Increased Windload
Material		Hot-dip galvanised steel

External Document Links  
[Wind kit installation](#)

Notes

The windkit includes only the red marked parts and fixing hardware. Only applicable for dual polarized antennas below 10 GHz