



TUBE-01-M10

Gas inlet 6mm to thread M10x0.75

Gas inlet M10 x 0.75 for Heliflex cables HCA78 for hose with 6 mm inner diameter

FEATURES / BENEFITS



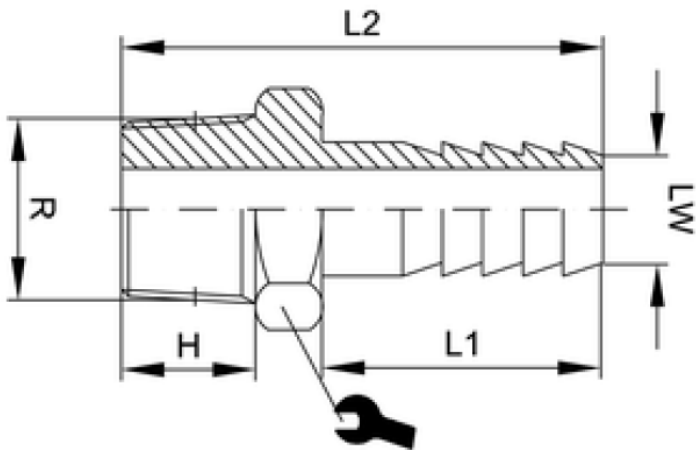
Technical features

GENERAL SPECIFICATIONS

Product Type		Distribution
--------------	--	--------------

MECHANICAL SPECIFICATIONS

Size		LW=7mm; L2=34,5mm; sw=14
Thread		M10 x 0.75
Output Fitting		6 mm



External Document Links

Notes