



RFS Class 4 and advanced Class 3 antennas are designed to provide the market's best RF performance and allow mobile operators to deploy new microwave links even in ultra-dense areas where high levels of interference are present.

- Available from 6 to 42 GHz frequency in both single (SL/UL) and dual polarization (SLX/ULX) versions
- Support for winds up to 250 km/h (155 mph) and even 320 km/h (195 mph) for 0.3m antennas diameter
- An optional sway bar for antennas 1 m (3ft) and larger is available

FEATURES / BENEFITS

- Increase link capacity of the network
- Improved radiation patterns for ETSI Class 4 providing better performance
- Less interference and higher carrier-to-interference ratio
- Allows radios to operate at higher modulation levels
- Minimize the total cost of ownership
- Improved network efficiency
- Facilitates better re-use of a frequency channel
- In-field upgrades – flexible feed design
- Upgrade from single to dual polarization in the field



Technical features

GENERAL SPECIFICATIONS

Product Type		Point to point antennas
Profile		SerenityLine
Performance		Super High
Polarization		Single
Antenna Input		CPR137G
Reflector		1-part
Radome		Flexible, White color
Antenna color		White RAL 9010
Swaybar		1: 2.0 m x Ø60 mm

ELECTRICAL SPECIFICATION

Frequency	GHz	5.925 - 7.125
3dB beamwidth	degrees	1.7
Low Band Gain	dBi	38.5
Mid Band Gain	dBi	39.2
High Band Gain	dBi	40.4
F/B Ratio	dB	76
XPD	dB	40 @ boresight 36 @ other areas
Max VSWR / R L	VSWR / dB	1.1 (26)
Regulatory Compliance		ETSI EN 302217 Range 1 Class 4, XPD Category 3 FCC Category A



MECHANICAL SPECIFICATIONS

Diameter	ft (m)	6 (1.8)
Elevation Adjustment	degrees	±5
Azimuth Adjustment	degrees	±5
Polarization Adjustment	degrees	±5
Mounting Pipe Diameter minimum	mm (in)	114 (4.5)
Mounting Pipe Diameter maximum	mm (in)	114 (4.5)
Survival Windspeed	km/h (mph)	200 (125)
Operational Windspeed	km/h (mph)	190 (118)
Approximate Weight	kg (lb)	110 (242)

STRUCTURE

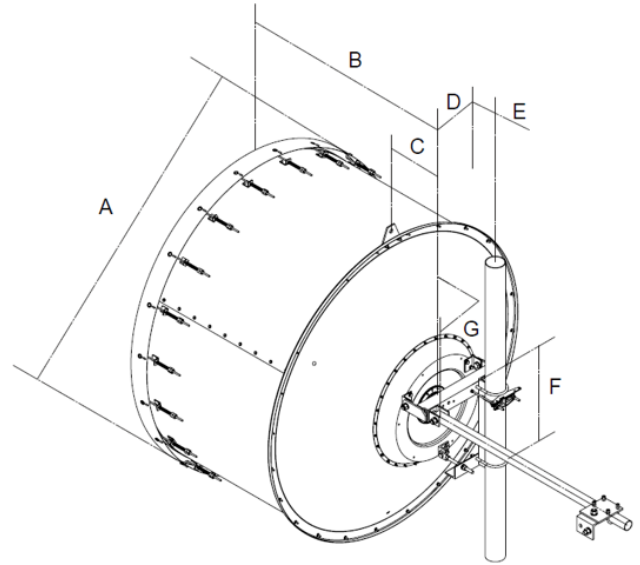
Radome Material	PVC coated fabric
-----------------	-------------------

OTHER ACCESSORIES

optional Swaybar	1: SMA-SK-60-2000A (2.0 m x Ø60 mm)
Further Accessories	SMA-SKO-UNIVERSAL-L : Universal sway bar fixation kit

MOUNT OUTLINE

Dimension_A	mm (in)	2000 (79)
Dimension_B	mm (in)	1495 (58.9)
Dimension_C	mm (in)	364 (14.3)
Dim_D- 114mm(4.5_in)Pipe	mm (in)	175 (6.9)
Dimension_E	mm (in)	283 (11.1)
Dimension_F	mm (in)	590 (23.2)
Dimension_G	mm (in)	306 (12)





UL6-W60AC

SerenityLine Antenna, Super High Performance, Single Polarized, 6ft

WINDLOAD

F_s Side force max. @ survival wind speed	N (lb)	4667 (1049)
F_a Axial force max. @ survival wind speed	N (lb)	7527 (1692)
M Torque maximum @ survival wind speed Nm (ft lb)	Nm (lb ft)	6554 (4855)



External Document Links

- [Antenna Installation](#)
- [RF interface installation](#)
- [RPE \(IQ-Link format\)](#)
- [RPE \(PDF format\)](#)
- [RPE \(pathloss format\)](#)

Notes