



UXA10-105ACSQGE

PrimeLine Antenna, Ultra High Performance,
High Cross Polar Discrimination, Dual Polarized, 10ft

RFS PrimeLine Antennas are designed for all microwave applications that require best RF performance, especially where interference could be an issue.
A choice between tested and validated ultra-high (ETSI EN 302 217 Class 3 and FCC Class A) electrical performance.

Sizes ranging from 0.6 m (2 ft) to 4.6 m (15 ft)

Dual-polarized models with the ability to change frequencies in the field in most cases

FEATURES / BENEFITS

- Extremely high XPD performance for complete isolation between the radions in each polarization
- Excellent radiation pattern envelope (RPE), particularly in cross-polar area
- Support for winds up to 200 km/h (125 mph) with high-wind versions that support winds up to 252 km/h (155 mph) and an optional sway bar for added assurance in case mistakes are made during installation
- A single-piece or a split-reflector configuration and compact packaging to reduce transportation costs
- 8 ft (2.4m) to 12 ft (3.7m) diameters can be ordered in split reflector configuration too. The split design provides a reduced packaging volume which minimises shipping cost.
- The expected degradation of the XPD for split design reflectors is less than 2 dB due to the special method of reassembling the reflector on site.
- Frequencies ranging from 4 GHz to 15 GHz with support for one ultra wideband frequency range (5.725-7.125 GHz) to reduce antenna requirements and simplify logistic

The design of the model number UXA10-105ACSQGE (HIGH WIND & HIGH ICE CONFIGURATION)

features :

- a reinforced mounting structure
- 4 sway bars, strategically located
- a PVC coated radome optimized for areas with high wind and snow appearance
- antenna and radome in gray color

This specific design allow the antenna to survive in High Wind and High Ice climate and withstand :

- a 250km/h (155mph) survival wind speed with 25mm (1 inch) of radial ice
- a 225km/h (140mph) survival wind speed with 55mm (2 inches) of radial ice



Antenna with snowradome

Technical features

GENERAL SPECIFICATIONS

| | | |
|---------------|--|---|
| Product Type | | Point to point antennas |
| Profile | | PrimeLine |
| Performance | | Ultra High, High Cross Polar Discrimination |
| Polarization | | Dual |
| Antenna Input | | CPR90G |
| Reflector | | 1-part |
| Radome | | flexible |
| Antenna color | | Gray RAL 7000 |
| Swaybar | | 4: 3 x (3.0 m x Ø60 mm), 1 x (1.5 m x Ø60 mm) |



UXA10-105ACSQGE

PrimeLine Antenna, Ultra High Performance,
High Cross Polar Discrimination, Dual Polarized, 10ft

ELECTRICAL SPECIFICATIONS

| | | |
|-----------------------|-----------|---|
| Frequency | GHz | 10.5 - 10.7 |
| 3dB beamwidth | degrees | 0.7 |
| Low Band Gain | dBi | 47.8 |
| Mid Band Gain | dBi | 47.9 |
| High Band Gain | dBi | 48 |
| F/B Ratio | dB | 80 |
| XPD | dB | 40 |
| IPI | dB | 45 |
| Max VSWR / R L | VSWR / dB | 1.06 (30.7) |
| Regulatory Compliance | | ETSI EN 302217 Range 1, class 3 FCC Category A |

MECHANICAL SPECIFICATIONS

| | | |
|--------------------------------|------------|-----------|
| Diameter | ft (m) | 10 (3) |
| Elevation Adjustment | degrees | ± 5 |
| Azimuth Adjustment | degrees | ± 5 |
| Polarization Adjustment | degrees | ± 5 |
| Mounting Pipe Diameter minimum | mm (in) | 114 (4.5) |
| Mounting Pipe Diameter maximum | mm (in) | 114 (4.5) |
| Approximate Weight | kg (lb) | 290 (638) |
| Survival Windspeed | km/h (mph) | 252 (155) |
| Operational Windspeed | km/h (mph) | 190 (118) |

STRUCTURE

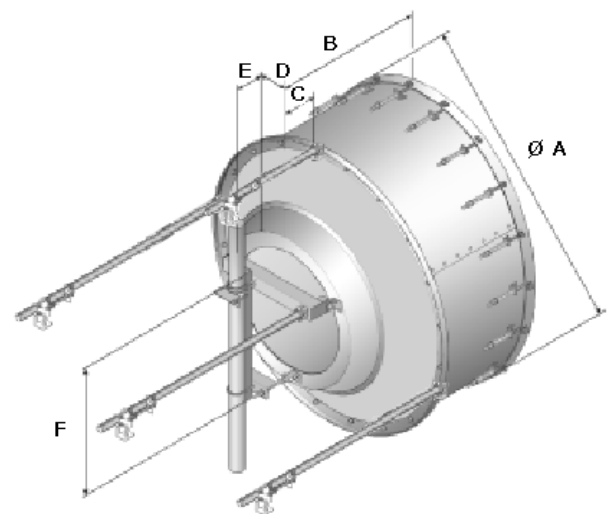
| | | |
|-----------------|--|-------------------|
| Radome Material | | PVC coated fabric |
|-----------------|--|-------------------|

FURTHER ACCESSORIES

| | | |
|---------------------|--|---|
| optional Swaybar | | 4: 3 x (3.0 m x Ø60 mm), 1 x (1.5 m x Ø60 mm) |
| Further Accessories | | SMA-SKO-UNIVERSAL-L : Universal sway bar fixation kit |

MOUNTOUTLINE

| | | |
|-----------------------------|---------|--------------|
| Dimension_A | mm (in) | 3220 (126.8) |
| Dimension_B | mm (in) | 1640 (64.6) |
| Dimension_C | mm (in) | 550 (21.7) |
| Dim_D- 114mm(4.5_in)Pipe | mm (in) | 190 (7.5) |
| Dimension_E | mm (in) | 370 (14.6) |
| Dimension_F | mm (in) | 1440 (56.9) |



Mount outline High Ice High Wind antenna

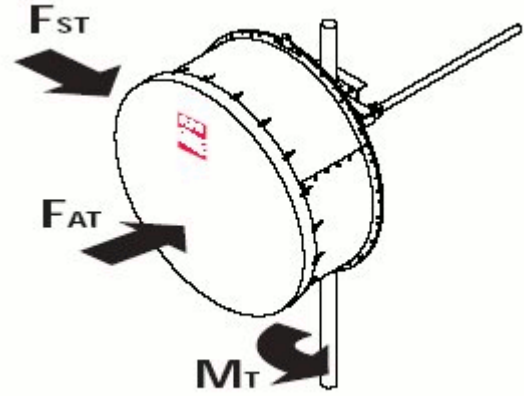


UXA10-105ACSQGE

PrimeLine Antenna, Ultra High Performance,
High Cross Polar Discrimination, Dual Polarized, 10ft

WINDLOAD

| | | |
|--|------------|---------------|
| Fa Axial force max. @ survival wind speed | N (lb) | 30266 (6781) |
| Fs Side force max. @ survival wind speed | N (lb) | 14984 (3356) |
| M Torque maximum @ survival wind speed Nm (ft lb) | Nm (lb ft) | 16000 (11875) |



External Document Links

- [Complete Antenna installation](#)
- [RPE \(IQ-Link format\)](#)
- [RPE \(PDF format\)](#)
- [RPE \(Pathloss format\)](#)

Notes

listed wind speeds are on "ASD" level