



**UXA12-78AB**

PrimeLine Antenna, Ultra High Performance,  
High Cross Polar Discrimination, Dual Polarized, 12ft

RFS PrimeLine Antennas are designed for all microwave applications that require best RF performance, especially where interference could be an issue.  
A choice between tested and validated ultra-high (ETSI EN 302 217 Class 3 and FCC Class A) electrical performance.

Sizes ranging from 0.6 m (2 ft) to 4.6 m (15 ft)

Dual-polarized models with the ability to change frequencies in the field in most cases

**FEATURES / BENEFITS**

- Extremely high XPD performance for complete isolation between the radions in each polarization
- Excellent radiation pattern envelope (RPE), particularly in cross-polar area
- Support for winds up to 200 km/h (125 mph) with high-wind versions that support winds up to 252 km/h (155 mph) and an optional sway bar for added assurance in case mistakes are made during installation
- A single-piece or a split-reflector configuration and compact packaging to reduce transportation costs
- 8 ft (2.4m) to 12 ft (3.7m) diameters can be ordered in split reflector configuration too. The split design provides a reduced packaging volume which minimises shipping cost.
- The expected degradation of the XPD for split design reflectors is less than 2 dB due to the special method of reassembling the reflector on site.
- Frequencies ranging from 4 GHz to 15 GHz with support for one ultra wideband frequency range (5.725-7.125 GHz) to reduce antenna requirements and simplify logistic



Antenna

**Technical features**

**GENERAL SPECIFICATIONS**

<b>Product Type</b>		Point to point antennas
<b>Profile</b>		PrimeLine
<b>Performance</b>		Ultra High, High Cross Polar Discrimination
<b>Polarization</b>		Dual
<b>Antenna Input</b>		PBR 84
<b>Reflector</b>		1-part
<b>Radome</b>		flexible
<b>Antenna color</b>		White RAL 9010
<b>Swaybar</b>		1: (3.0 m x Ø60 mm)

**ELECTRICAL SPECIFICATIONS**

<b>Frequency</b>	GHz	7.725 - 8.5
<b>3dB beamwidth</b>	degrees	0.7
<b>Low Band Gain</b>	dBi	46.7
<b>Mid Band Gain</b>	dBi	47.1
<b>High Band Gain</b>	dBi	47.5
<b>F/B Ratio</b>	dB	77
<b>XPD</b>	dB	40
<b>IPI</b>	dB	45
<b>Max VSWR / R L</b>	VSWR / dB	1.06 (30.7)
<b>Regulatory Compliance</b>		ETSI EN 302217 Range 1, class 3



**UXA12-78AB**

PrimeLine Antenna, Ultra High Performance,  
High Cross Polar Discrimination, Dual Polarized, 12ft

**MECHANICAL SPECIFICATIONS**

Diameter	ft (m)	12 (3.7)
Elevation Adjustment	degrees	± 5
Azimuth Adjustment	degrees	± 5
Polarization Adjustment	degrees	± 5
Mounting Pipe Diameter minimum	mm (in)	114 (4.5)
Mounting Pipe Diameter maximum	mm (in)	114 (4.5)
Approximate Weight	kg (lb)	420 (924)
Survival Windspeed	km/h (mph)	200 (125)
Operational Windspeed	km/h (mph)	190 (118)

**STRUCTURE**

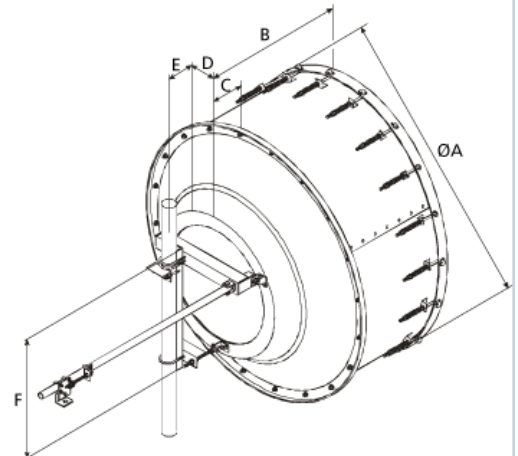
Radome Material	PVC coated fabric
-----------------	-------------------

**FURTHER ACCESSORIES**

optional Swaybar	1: SMA-SK-60-3000A (3.0 m x Ø60 mm)
Further Accessories	SMA-WK-12 : Wind Kit SMA-SKO-UNIVERSAL-L : Universal sway bar fixation kit

**MOUNTOUTLINE**

Dimension_A	mm (in)	3800 (150)
Dimension_B	mm (in)	1880 ( )
Dimension_C	mm (in)	670 (26.5)
Dim_D- 114mm(4.5_in)Pipe	mm (in)	190 (7.5)
Dimension_E	mm (in)	370 (14.57)
Dimension_F	mm (in)	1580 (62.5)





**UXA12-78AB**

PrimeLine Antenna, Ultra High Performance,  
High Cross Polar Discrimination, Dual Polarized, 12ft

**WINDLOAD**

<b>Fa Axial force max. @ survival wind speed</b>	N (lb)	27670 (6200)
<b>Fs Side force max. @ survival wind speed</b>	N (lb)	13710 (3071)
<b>M Torque maximum @ survival wind speed Nm (ft lb)</b>	Nm (lb ft)	16650 (12400)



**External Document Links**

- [Complete Antenna installation](#)
- [RPE \(IQ-Link format\)](#)
- [RPE \(PDF format\)](#)
- [RPE \(Pathloss format\)](#)

**Notes**