



UXA4-78AB

PrimeLine Antenna, Ultra High Performance,
High Cross Polar Discrimination, Dual Polarized, 4 ft

RFS PrimeLine Antennas are designed for all microwave applications that require best RF performance, especially where interference could be an issue. A choice between tested and validated ultra-high (ETSI EN 302 217 Class 3 and FCC Class A) electrical performance.

Sizes ranging from 0.6 m (2 ft) to 4.6 m (15 ft)

Dual-polarized models with the ability to change frequencies in the field in most cases

FEATURES / BENEFITS

- Extremely high XPD performance for complete isolation between the radions in each polarization
- Excellent radiation pattern envelope (RPE), particularly in cross-polar area
- Support for winds up to 200 km/h (125 mph) with high-wind versions that support winds up to 252 km/h (155 mph)
- A single-piece configuration and compact packaging to reduce transportation costs
- Frequencies ranging from 6 GHz to 23 GHz



Antenna

Technical features

GENERAL SPECIFICATIONS

Product Type		Point to point antennas
Profile		PrimeLine
Performance		Ultra High, High Cross Polar Discrimination
Polarization		Dual
Antenna Input		PBR 84
Reflector		1-part
Radome		flexible
Antenna color		White RAL 9010
Swaybar		0: (not applicable)

ELECTRICAL SPECIFICATIONS

Frequency	GHz	7.725 - 8.5
3dB beamwidth	degrees	2.1
Low Band Gain	dBi	36.8
Mid Band Gain	dBi	37.2
High Band Gain	dBi	37.6
F/B Ratio	dB	62
XPD	dB	38
IPI	dB	42
Max VSWR / R L	VSWR / dB	1.08 (28.3)
Regulatory Compliance		ETSI EN 302217 Range 1, class 3



UXA4-78AB

PrimeLine Antenna, Ultra High Performance,
High Cross Polar Discrimination, Dual Polarized, 4 ft

MECHANICAL SPECIFICATIONS

Diameter	ft (m)	4 (1.2)
Elevation Adjustment	degrees	± 5
Azimuth Adjustment	degrees	± 5
Polarization Adjustment	degrees	± 5
Mounting Pipe Diameter minimum	mm (in)	114 (4.5)
Mounting Pipe Diameter maximum	mm (in)	114 (4.5)
Approximate Weight	kg (lb)	45 (99)
Survival Windspeed	km/h (mph)	200 (125)
Operational Windspeed	km/h (mph)	190 (118)

STRUCTURE

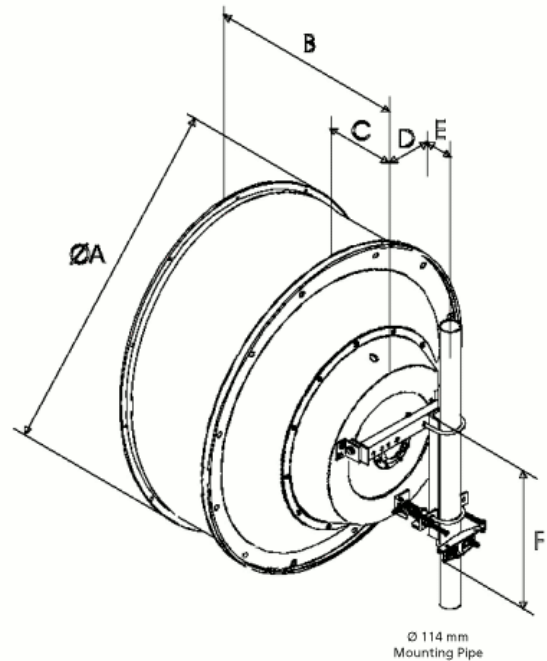
Radome Material	PVC coated fabric
-----------------	-------------------

FURTHER ACCESSORIES

optional Swaybar	0: (not applicable)
Further Accessories	SMA-WK-4 : Wind Kit SMA-SKO-UNIVERSAL : Universal sway bar fixation kit

MOUNTOUTLINE

Dimension_A	mm (in)	1313 (51.7)
Dimension_B	mm (in)	810 (31.8)
Dimension_C	mm (in)	230 (9.1)
Dim_D- 114mm(4.5_in)Pipe	mm (in)	144 (5.7)
Dimension_E	mm (in)	229 (9)
Dimension_F	mm (in)	590 (23.2)



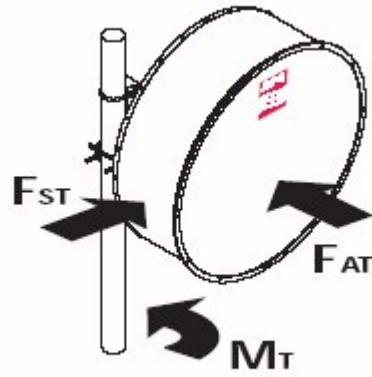


UXA4-78AB

PrimeLine Antenna, Ultra High Performance,
High Cross Polar Discrimination, Dual Polarized, 4 ft

WINDLOAD

Fa Axial force max. @ survival wind speed	N (lb)	3290 (737)
Fs Side force max. @ survival wind speed	N (lb)	1630 (365)
M Torque maximum @ survival wind speed Nm (ft lb)	Nm (lb ft)	1055 (784)



External Document Links

- [Complete Antenna installation](#)
- [RPE \(IQ-Link format\)](#)
- [RPE \(PDF format\)](#)
- [RPE \(Pathloss format\)](#)

Notes