



UXA6-65BCUH

HarshAreasLine Antenna, Ultra High Performance,
High Cross Polar Discrimination, Dual Polarized, 6 ft

Designed for: Marine environments, off-shore locations, industrial and highly corrosive locations, volcanic areas, tropical climates mountaintops with severe wind, ice and snow conditions. Available in frequencies ranging from 3.6 to 26.5 GHz and sizes 0.6m (2ft) to 3.7m (12ft) as single or dual polarized models.

FEATURES / BENEFITS

- Reflectors and shrouds painted in- and outside with 2-component epoxy paint
- Feeds painted with a 2-component epoxy paint
- Mounting hardware and attachment hardware in corrosion-resistant ISO 3506 A4 (SAE 316L) steel stabilized with molybdenum
- Steel mounting with a extended galvanic layer
- Screws, connectors apply additional silicon sealant during installation
- A wind kit supports winds up to 252 km/h (155 mph)
- Wind kits are factory installed for 1.8m (6 ft) and larger antennas
- A single-piece reflector ensures best protection to antenna surfaces
- A flexible radome that is designed to avoid snow accumulation for antennas 1.2 m (4 ft) and larger



Antenna

Technical features

GENERAL SPECIFICATIONS

Product Type		Point to point antennas
Profile		HarshAreasLine
Performance		Ultra High, High Cross Polar Discrimination
Polarization		Dual
Antenna Input		CPR137G
Reflector		1-part
Radome		Flexible
Antenna color		White RAL 9010
Swaybar		3: (2.0 m x Ø60 mm)

ELECTRICAL SPECIFICATIONS

Frequency	GHz	6.425 - 7.125
3dB beamwidth	degrees	1.7
Low Band Gain	dBi	39.2
Mid Band Gain	dBi	39.7
High Band Gain	dBi	40.1
F/B Ratio	dB	69
XPD	dB	40
IPI	dB	45
Max VSWR / R L	VSWR / dB	1.06 (30.7)
Regulatory Compliance		ETSI EN 302217 Range 1, class 3 FCC Category A



UXA6-65BCUH

HarshAreasLine Antenna, Ultra High Performance,
High Cross Polar Discrimination, Dual Polarized, 6 ft

MECHANICAL SPECIFICATIONS

Diameter	ft (m)	6 (1.8)
Elevation Adjustment	degrees	± 5
Azimuth Adjustment	degrees	± 5
Polarization Adjustment	degrees	± 5
Mounting Pipe Diameter minimum	mm (in)	114 (4.5)
Mounting Pipe Diameter maximum	mm (in)	114 (4.5)
Approximate Weight	kg (lb)	127 (280)
Survival Windspeed	km/h (mph)	252 (155)
Operational Windspeed	km/h (mph)	190 (118)

STRUCTURE

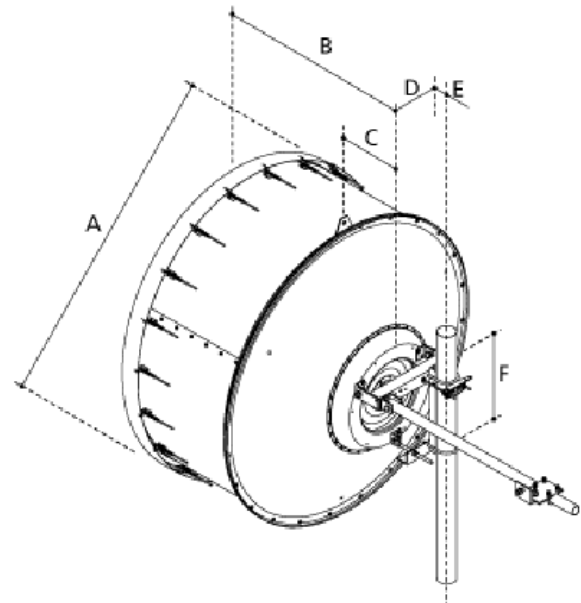
Radome Material	PVC coated fabric
-----------------	-------------------

FURTHER ACCESSORIES

Further Accessories	SMA-SKO-UNIVERSAL-L : Universal sway bar fixation kit
---------------------	---

MOUNT OUTLINE

Dimension_A	mm (in)	2000 (79)
Dimension_B	mm (in)	1242 (48.9)
Dimension_C	mm (in)	364 (14.3)
Dim_D- 114mm(4.5_in)Pipe	mm (in)	175 (6.9)
Dimension_E	mm (in)	283 (11.1)
Dimension_F	mm (in)	590 (23.2)



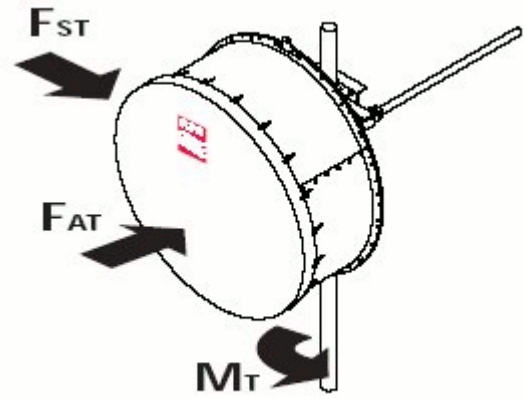


UXA6-65BCUH

HarshAreasLine Antenna, Ultra High Performance,
High Cross Polar Discrimination, Dual Polarized, 6 ft

WINDLOAD

Fa Axial force max. @ survival wind speed	N (lb)	11719 (2625)
M Torque maximum @ survival wind speed Nm (ft lb)	Nm (lb ft)	4430 (3281)
Fs Side force max. @ survival wind speed	N (lb)	5805 (1300)



External Document Links

- [RPE \(IQ-link format\)](#)
- [RPE \(PDF format\)](#)
- [RPE \(Pathloss format\)](#)

Notes