



UXA8-U57AC2

PrimeLine Antenna, Ultra High Performance,
High Cross Polar Discrimination, Dual Polarized, 8 ft

RFS PrimeLine Antennas are designed for all microwave applications that require best RF performance, especially where interference could be an issue.
A choice between tested and validated ultra-high (ETSI EN 302 217 Class 3 and FCC Class A) electrical performance.

Sizes ranging from 0.6 m (2 ft) to 4.6 m (15 ft)

Dual-polarized models with the ability to change frequencies in the field in most cases

FEATURES / BENEFITS

- Extremely high XPD performance for complete isolation between the radions in each polarization
- Excellent radiation pattern envelope (RPE), particularly in cross-polar area
- Support for winds up to 200 km/h (125 mph) with high-wind versions that support winds up to 252 km/h (155 mph) and an optional sway bar for added assurance in case mistakes are made during installation
- A single-piece or a split-reflector configuration and compact packaging to reduce transportation costs
- 8 ft (2.4m) to 12 ft (3.7m) diameters can be ordered in split reflector configuration too. The split design provides a reduced packaging volume which minimises shipping cost.
- The expected degradation of the XPD for split design reflectors is less than 2 dB due to the special method of reassembling the reflector on site.
- Frequencies ranging from 4 GHz to 15 GHz with support for one ultra wideband frequency range (5.725-7.125 GHz) to reduce antenna requirements and simplify logistic



Antenna

Technical features

GENERAL SPECIFICATIONS

| | | |
|---------------|--|---|
| Product Type | | Point to point antennas |
| Profile | | PrimeLine |
| Performance | | Ultra High, High Cross Polar Discrimination |
| Polarization | | Dual |
| Antenna Input | | CPR137G |
| Reflector | | 1-part |
| Radome | | flexible |
| Antenna color | | White RAL 9010 |
| Swaybar | | 1: (3.0 m x Ø60 mm) |

ELECTRICAL SPECIFICATIONS

| | | |
|-----------------------|-----------|--|
| Frequency | GHz | 5.725 - 7.125 |
| 3dB beamwidth | degrees | 1.3 |
| Low Band Gain | dBi | 40.6 |
| Mid Band Gain | dBi | 41.6 |
| High Band Gain | dBi | 42.6 |
| F/B Ratio | dB | 77 |
| XPD | dB | 40 |
| IPI | dB | 45 |
| Max VSWR / R L | VSWR / dB | 1.12 (25) @ 5.925 - 7.125 GHz 1.5 (14) @ 5.725 - 5.85 GHz |
| Regulatory Compliance | | ETSI EN 302217 Range 1, class 3 FCC Category A |



UXA8-U57AC2

PrimeLine Antenna, Ultra High Performance,
High Cross Polar Discrimination, Dual Polarized, 8 ft

MECHANICAL SPECIFICATIONS

| | | |
|--------------------------------|------------|-----------|
| Diameter | ft (m) | 8 (2.4) |
| Elevation Adjustment | degrees | ± 5 |
| Azimuth Adjustment | degrees | ± 5 |
| Polarization Adjustment | degrees | ± 5 |
| Mounting Pipe Diameter minimum | mm (in) | 114 (4.5) |
| Mounting Pipe Diameter maximum | mm (in) | 114 (4.5) |
| Approximate Weight | kg (lb) | 180 (396) |
| Survival Windspeed | km/h (mph) | 252 (155) |
| Operational Windspeed | km/h (mph) | 190 (118) |

STRUCTURE

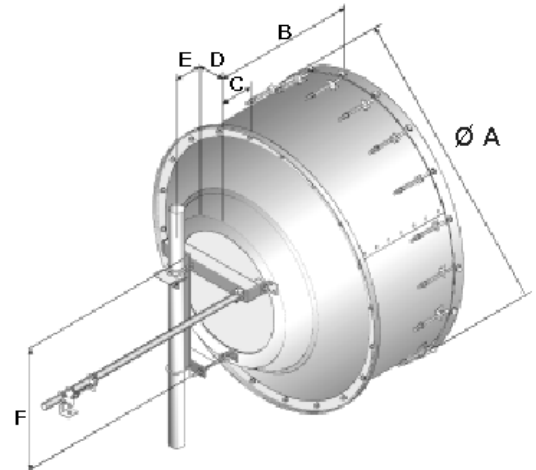
| | |
|-----------------|-------------------|
| Radome Material | PVC coated fabric |
|-----------------|-------------------|

FURTHER ACCESSORIES

| | |
|---------------------|--|
| optional Swaybar | 1: SMA-SK-60-3000A (3.0 m x Ø60 mm) |
| Further Accessories | SMA-WK-8 : Wind Kit SMA-SKO-UNIVERSAL-L : Universal sway bar fixation kit |

MOUNTOUTLINE

| | | |
|-----------------------------|---------|--------------|
| Dimension_A | mm (in) | 2616 (103.4) |
| Dimension_B | mm (in) | 1450 (57.1) |
| Dimension_C | mm (in) | 460 (18.1) |
| Dim_D- 114mm(4.5_in)Pipe | mm (in) | 190 (7.5) |
| Dimension_E | mm (in) | 310 (12.3) |
| Dimension_F | mm (in) | 1120 (44.1) |





UXA8-U57AC2

PrimeLine Antenna, Ultra High Performance,
High Cross Polar Discrimination, Dual Polarized, 8 ft

WINDLOAD

| | | |
|--|------------|--------------|
| Fa Axial force max. @ survival wind speed | N (lb) | 19344 (4333) |
| Fs Side force max. @ survival wind speed | N (lb) | 9922 (2222) |
| M Torque maximum @ survival wind speed Nm (ft lb) | Nm (lb ft) | 9313 (6875) |



External Document Links

- [Complete Antenna installation](#)
- [250 km/h WindKit](#)
- [RPE \(IQ-Link format\)](#)
- [RPE \(PDF format\)](#)
- [RPE \(Pathloss format\)](#)

Notes

Only available in North America